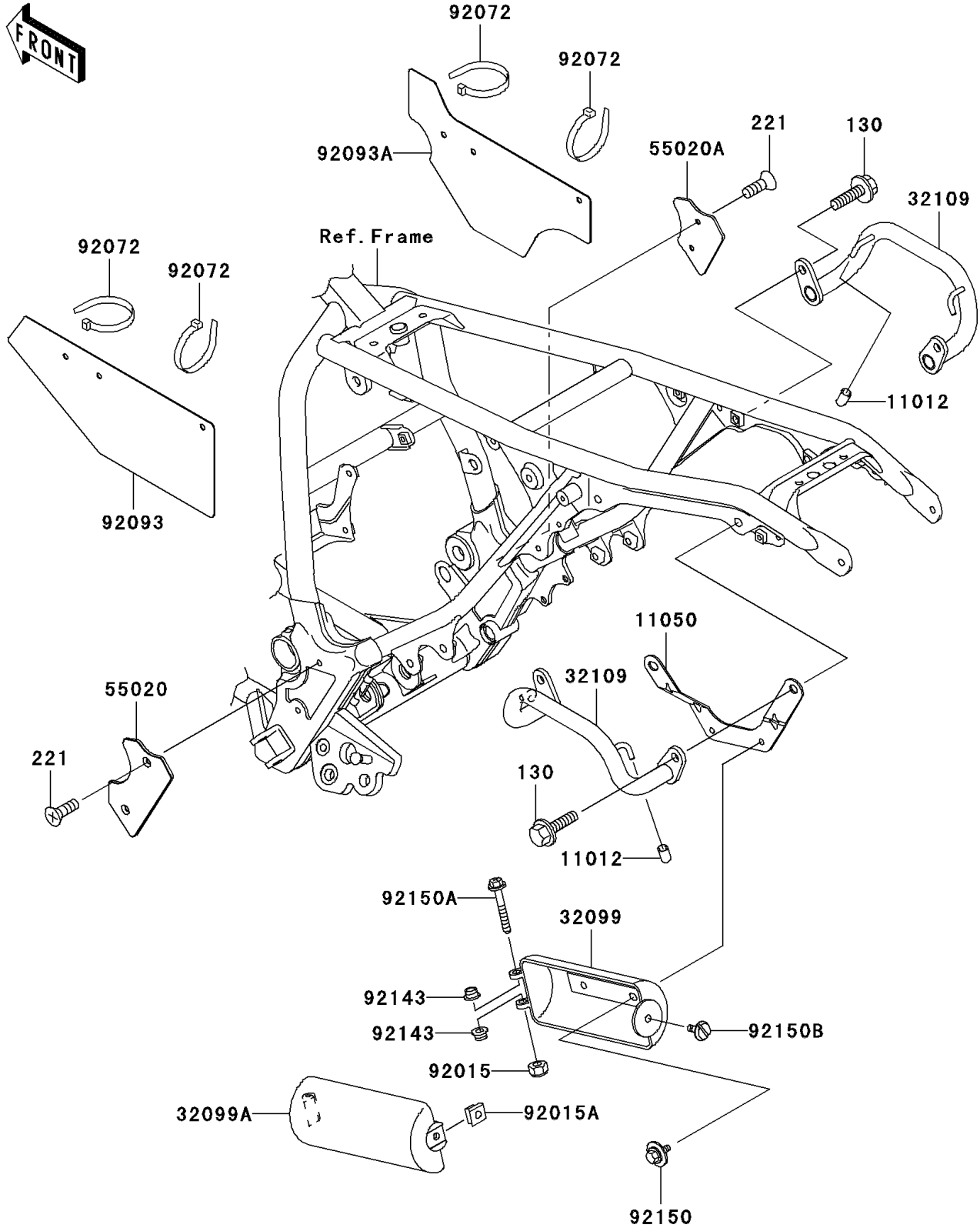


2004 Super Sherpa (Canada Only) PARTS DIAGRAM

Frame Fittings

F2131



2004 Super Sherpa (Canada Only) PARTS LIST

Frame Fittings

| ITEM NAME | PART NUMBER | QUANTITY |
|--|---------------|----------|
| BOLT-FLANGED,8X16 (Ref # 130) | 130G0816 | 4 |
| SCREW-CSK-CROSS,5X12 (Ref # 221) | 221B0512 | 4 |
| CAP,BUNGEE CORD HOOK (Ref # 11012) | 11012-1589 | 4 |
| BRACKET,TOOL CASE,C.GRAY (Ref # 11050) | 11050-1445-EZ | 1 |
| CASE,TOOL,BODY (Ref # 32099) | 32099-1184 | 1 |
| CASE,TOOL,CAP (Ref # 32099A) | 32099-1185 | 1 |
| GRIP-FRAME,C.GRAY (Ref # 32109) | 32109-1260-EZ | 2 |
| GUARD,FOOT,LH (Ref # 55020) | 55020-1606 | 1 |
| GUARD,FOOT,RH (Ref # 55020A) | 55020-1607 | 1 |
| NUT,LOCK,5MM (Ref # 92015) | 92015-1221 | 1 |
| NUT,6MM (Ref # 92015A) | 92015-1602 | 1 |
| BAND,L=202 (Ref # 92072) | 92072-1195 | 4 |
| SEAL,AIR CLEANER,LH (Ref # 92093) | 92093-1450 | 1 |
| SEAL,AIR CLEANER,RH (Ref # 92093A) | 92093-1451 | 1 |
| COLLAR (Ref # 92143) | 92143-1234 | 2 |
| BOLT,6X14 (Ref # 92150) | 92150-1392 | 2 |
| BOLT,ADJUST,5X45 (Ref # 92150A) | 92150-1590 | 1 |
| BOLT,6X14 (Ref # 92150B) | 92150-3732 | 1 |