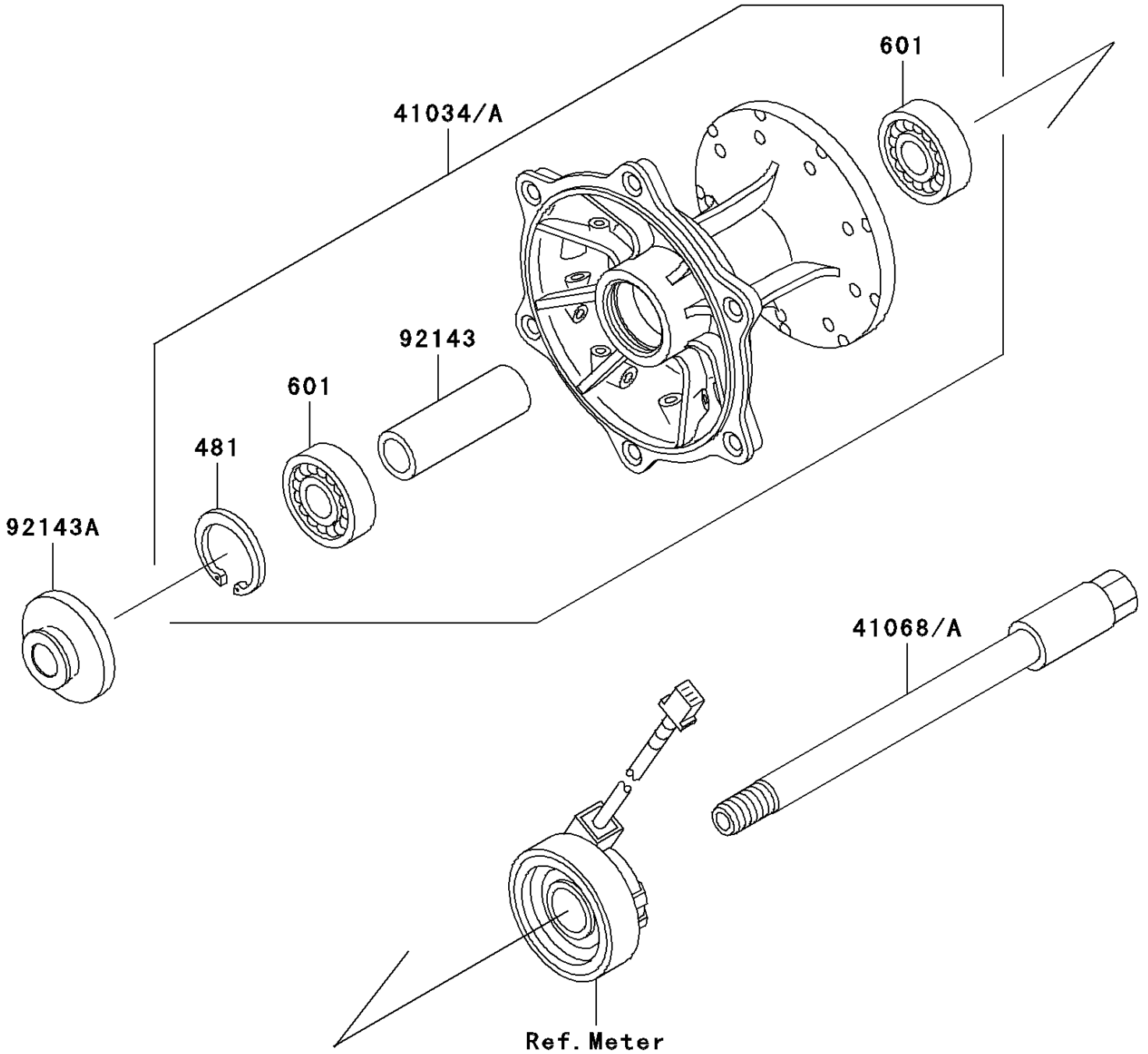


# 2003 Super Sherpa PARTS DIAGRAM

Front Hub

F2230



## 2003 Super Sherpa PARTS LIST

### Front Hub

ITEM NAME	PART NUMBER	QUANTITY
CIRCLIP-TYPE-C,35MM (Ref # 481)	481J3500	1
BEARING-BALL,#6202UG (Ref # 601)	601B6202UG	2
DRUM-ASSY,FRONT BRAKE (Ref # 41034A)	41034-1273	1
AXLE,FR (Ref # 41068A)	41068-1352	1
COLLAR,15.2X22X67 (Ref # 92143)	92143-1033	1
COLLAR,FR AXLE,L=19.5 (Ref # 92143A)	92143-1918	1