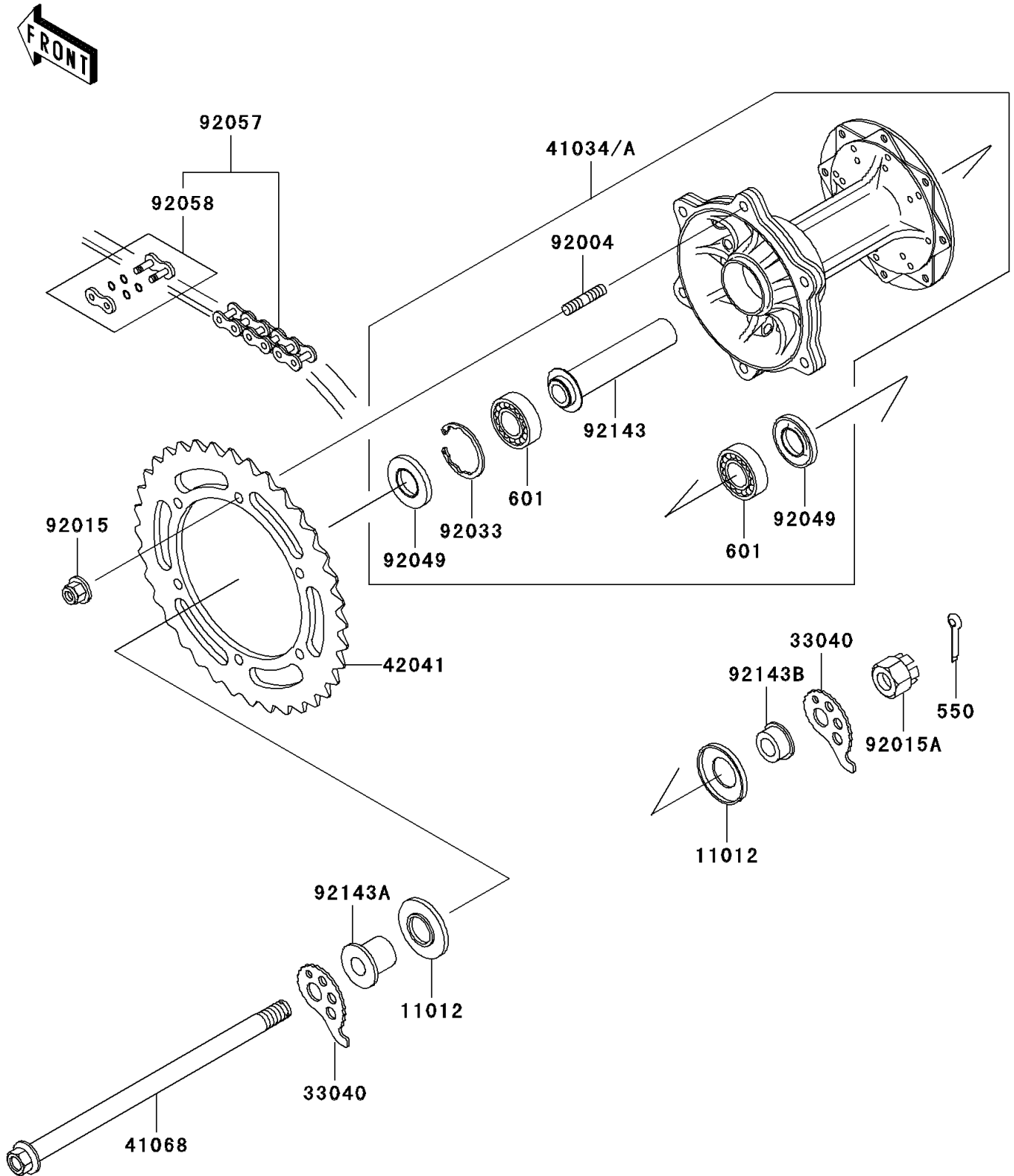


2000 Super Sherpa PARTS DIAGRAM

Rear Hub

F2240



2000 Super Sherpa PARTS LIST

Rear Hub

| ITEM NAME | PART NUMBER | QUANTITY |
|--|-------------|----------|
| PIN-COTTER,3.0X25 (Ref # 550) | 550D3025 | 1 |
| BEARING-BALL,#6302UG (Ref # 601) | 601B6302UG | 2 |
| CAP,AXLE (Ref # 11012) | 11012-1581 | 2 |
| ADJUSTER-CHAIN (Ref # 33040) | 33040-1163 | 2 |
| DRUM-ASSY,REAR BRAKE (Ref # 41034) | 41034-1274 | 1 |
| AXLE,RR (Ref # 41068) | 41068-1393 | 1 |
| SPROCKET-HUB,43T (Ref # 42041) | 42041-1488 | 1 |
| STUD,8X17 (Ref # 92004) | 92004-1239 | 6 |
| NUT,8MM (Ref # 92015) | 92015-1432 | 6 |
| NUT,CASTLE,14MM (Ref # 92015A) | 92015-1765 | 1 |
| RING-SNAP,42MM (Ref # 92033) | 92033-1041 | 1 |
| SEAL-OIL,MHSA25 42 6 (Ref # 92049) | 92049-1314 | 2 |
| CHAIN,DRIVE,EK520LV-OX102L (Ref # 92057) | 92057-0017 | 1 |
| JOINT-CHAIN,DRIVE (Ref # 92058) | 92058-1100 | 1 |
| COLLAR,L=115 (Ref # 92143) | 92143-1020 | 1 |
| COLLAR,RR AXLE,LH,L=28 (Ref # 92143A) | 92143-1924 | 1 |
| COLLAR,RR AXLE,RH,L=13 (Ref # 92143B) | 92143-1925 | 1 |