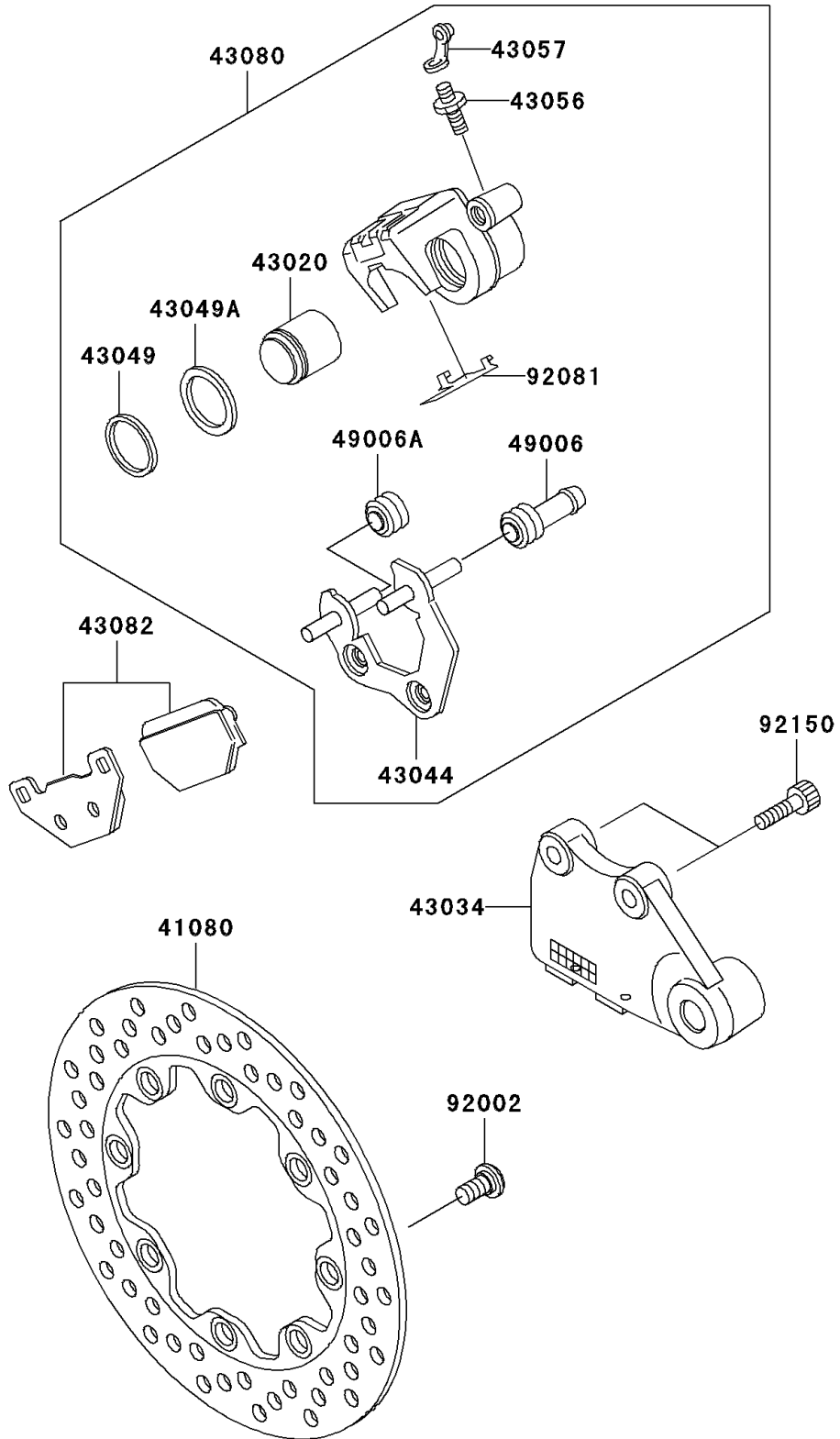


2001 Super Sherpa PARTS DIAGRAM

Rear Brake

F2294



2001 Super Sherpa PARTS LIST

Rear Brake

ITEM NAME	PART NUMBER	QUANTITY
DISC,RR (Ref # 41080)	41080-1427	1
PISTON-COMP-BRAKE (Ref # 43020)	43020-1117	1
HOLDER-BRAKE,REAR CALIPER (Ref # 43034)	43034-1141	1
HOLDER-COMP-CALIPER (Ref # 43044)	43044-1028	1
PACKING (Ref # 43049)	43049-1068	1
PACKING,PISTON SEAL (Ref # 43049A)	43049-1092	1
BREATHER-BRAKE (Ref # 43056)	43056-1054	1
CAP-BREATHER (Ref # 43057)	43057-003	1
CALIPER-SUB-ASSY,RR,SILVER (Ref # 43080)	43080-5075-GN	1
PAD-ASSY-BRAKE (Ref # 43082)	43082-1209	1
BOOT,CALIPER (Ref # 49006)	49006-1054	1
BOOT,CALIPER (Ref # 49006A)	49006-1055	1
BOLT,6MM (Ref # 92002)	92002-1775	8
SPRING,PAD (Ref # 92081)	92081-1341	1
BOLT,SOCKET,8X16 (Ref # 92150)	92150-1840	2