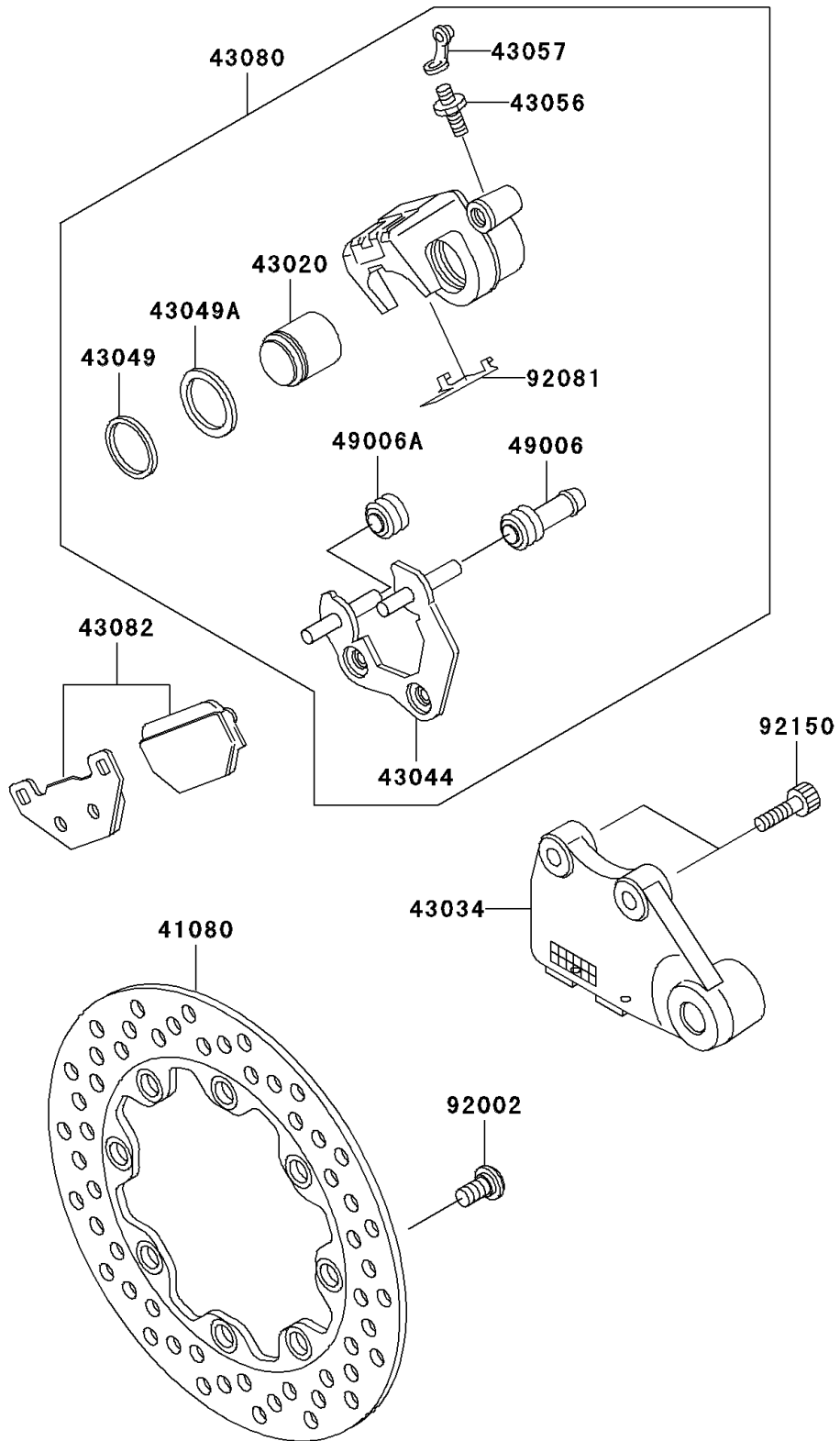


2002 Super Sherpa PARTS DIAGRAM

Rear Brake

F2294



2002 Super Sherpa PARTS LIST

Rear Brake

| ITEM NAME | PART NUMBER | QUANTITY |
|--|---------------|----------|
| DISC,RR (Ref # 41080) | 41080-1427 | 1 |
| PISTON-COMP-BRAKE (Ref # 43020) | 43020-1117 | 1 |
| HOLDER-BRAKE,REAR CALIPER (Ref # 43034) | 43034-1141 | 1 |
| HOLDER-COMP-CALIPER (Ref # 43044) | 43044-1028 | 1 |
| PACKING (Ref # 43049) | 43049-1068 | 1 |
| PACKING,PISTON SEAL (Ref # 43049A) | 43049-1092 | 1 |
| BREATHER-BRAKE (Ref # 43056) | 43056-1054 | 1 |
| CAP-BREATHER (Ref # 43057) | 43057-003 | 1 |
| CALIPER-SUB-ASSY,RR,SILVER (Ref # 43080) | 43080-5075-GN | 1 |
| PAD-ASSY-BRAKE (Ref # 43082) | 43082-1209 | 1 |
| BOOT,CALIPER (Ref # 49006) | 49006-1054 | 1 |
| BOOT,CALIPER (Ref # 49006A) | 49006-1055 | 1 |
| BOLT,6MM (Ref # 92002) | 92002-1775 | 8 |
| SPRING,PAD (Ref # 92081) | 92081-1341 | 1 |
| BOLT,SOCKET,8X16 (Ref # 92150) | 92150-1840 | 2 |