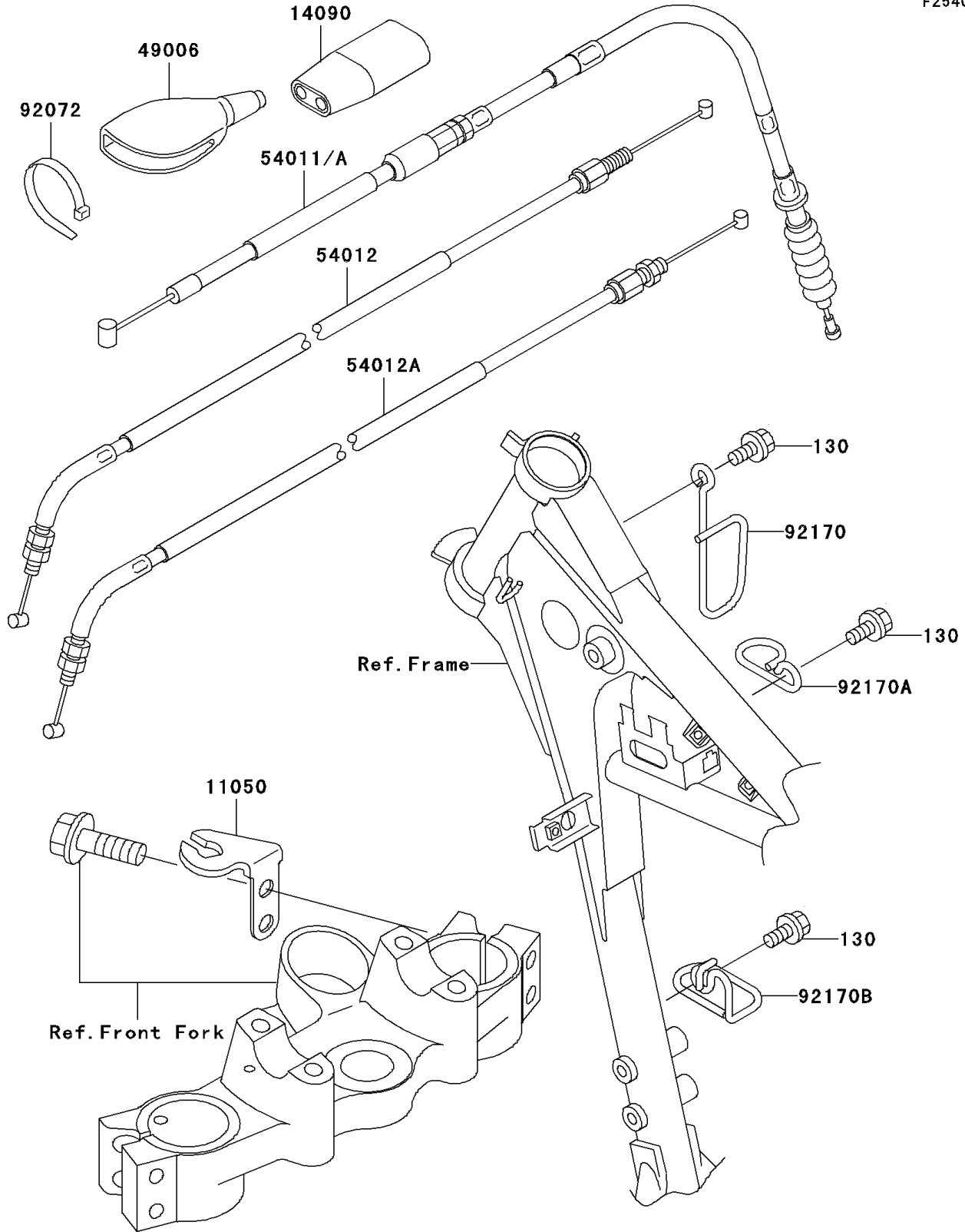


2004 Super Sherpa (Canada Only) PARTS DIAGRAM

Cables

F2540



2004 Super Sherpa (Canada Only) PARTS LIST

Cables

ITEM NAME	PART NUMBER	QUANTITY
BOLT-FLANGED (Ref # 130)	130J0612	3
BRACKET,STARTER CABLE (Ref # 11050)	11050-1412	1
COVER,THROTTLE CABLE (Ref # 14090)	14090-1309	1
BOOT,LEVER HOLDER (Ref # 49006)	49006-1017	1
CABLE-CLUTCH (Ref # 54011A)	54011-1407	1
CABLE-THROTTLE,OPENING (Ref # 54012)	54012-1546	1
CABLE-THROTTLE,CLOSING (Ref # 54012A)	54012-1557	1
BAND,L=202 (Ref # 92072)	92072-1195	2
CLAMP,CABLE (Ref # 92170)	92170-1788	1
CLAMP,CABLE (Ref # 92170A)	92170-1957	1
CLAMP,CABLE (Ref # 92170B)	92170-1958	1