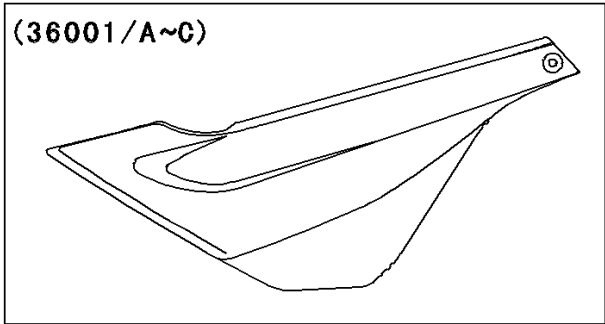
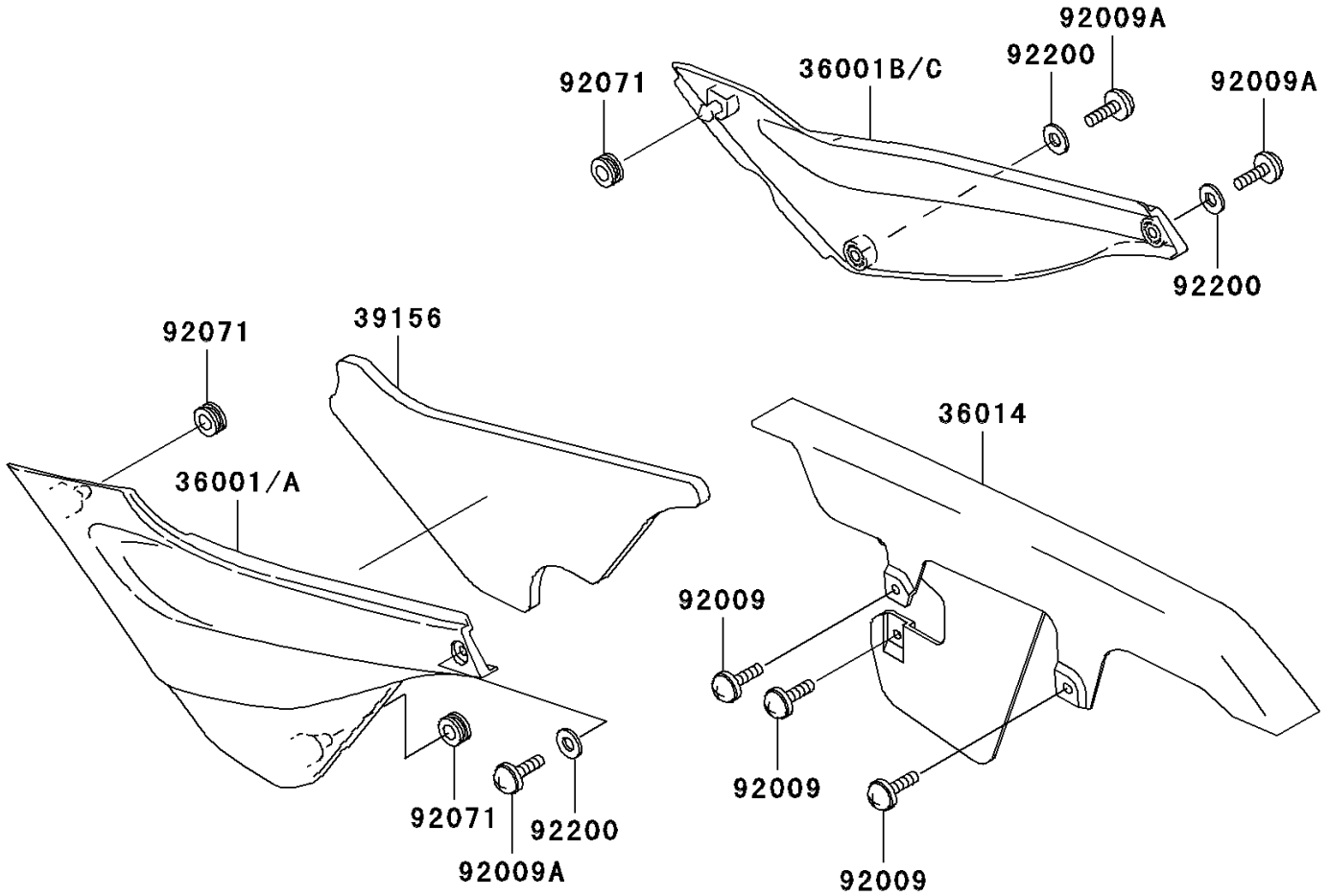


2002 Super Sherpa PARTS DIAGRAM

Side Covers/Chain Cover

F2610



WOD

2002 Super Sherpa PARTS LIST

Side Covers/Chain Cover

ITEM NAME	PART NUMBER	QUANTITY
COVER-SIDE,LH,O.GREEN (Ref # 36001A)	36001-1580-68	1
COVER-SIDE,RH,O.GREEN (Ref # 36001C)	36001-1581-68	1
CASE-CHAIN (Ref # 36014)	36014-1209	1
PAD,SIDE COVER,LH (Ref # 39156)	39156-1580	1
SCREW,6X10 (Ref # 92009)	92009-1661	3
SCREW,6X16 (Ref # 92009A)	92009-1806	3
GROMMET (Ref # 92071)	92071-056	3
WASHER,6.5X14X1 (Ref # 92200)	92200-1388	3