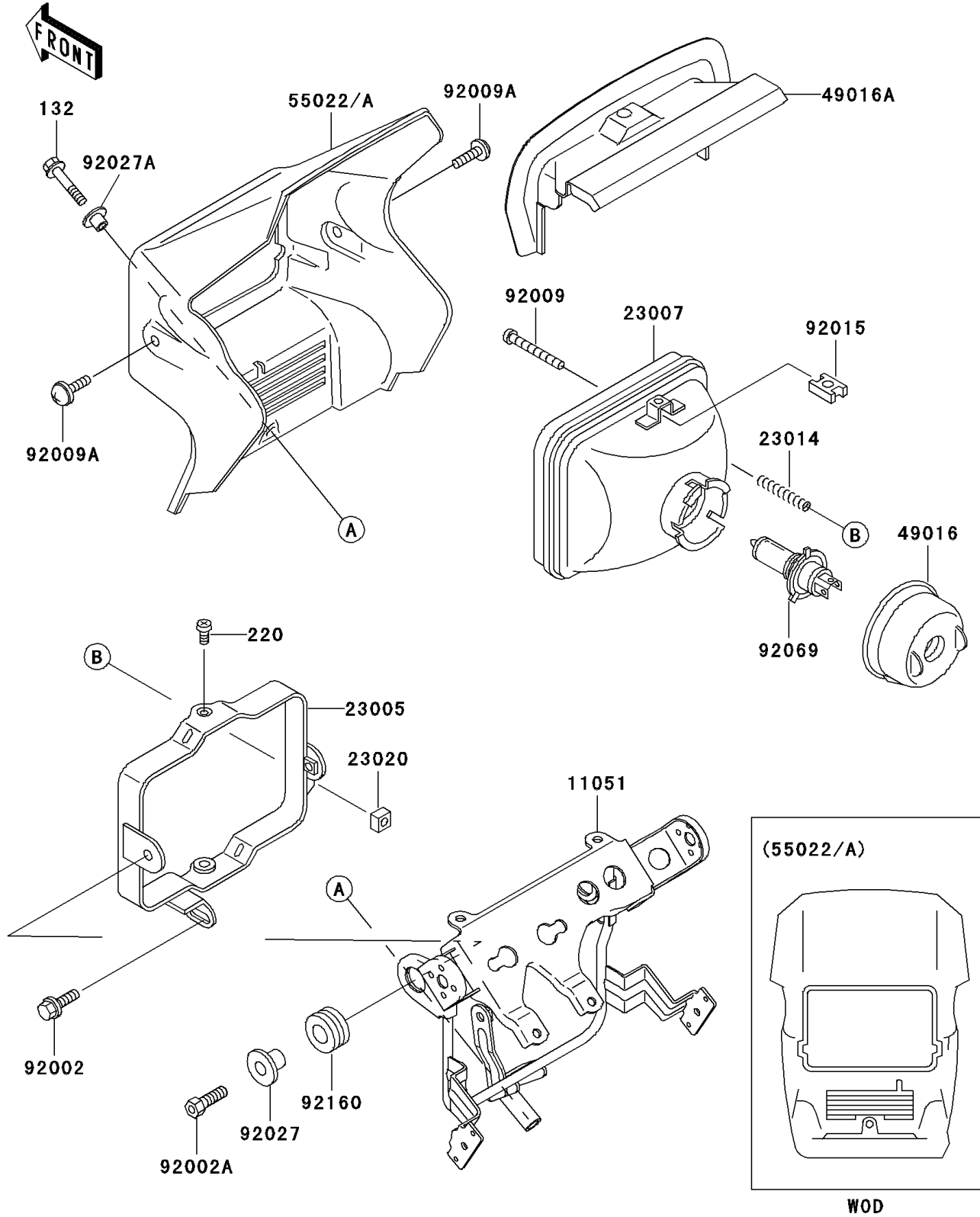


# 2003 Super Sherpa PARTS DIAGRAM

Headlight(s)

F2710



## 2003 Super Sherpa PARTS LIST

### Headlight(s)

ITEM NAME	PART NUMBER	QUANTITY
BOLT-FLANGED-SMALL (Ref # 132)	132E0645	1
SCREW-PAN-CROS,5X8 (Ref # 220)	220B0508	2
BRACKET,HEAD LAMP (Ref # 11051)	11051-1320	1
BODY-COMP-HEAD LAMP (Ref # 23005)	23005-1052	1
LENS-COMP,HEAD LAMP (Ref # 23007)	23007-1364	1
SPRING,FOCUS ADJUSTING (Ref # 23014)	23014-005	1
NUT,4MM,FOCUS ADJUST (Ref # 23020)	23020-018	1
COVER-SEAL,SOCKET (Ref # 49016)	49016-1037	1
COVER-SEAL,HEAD LAMP (Ref # 49016A)	49016-1204	1
COVER-HEAD LAMP,O.GREEN (Ref # 55022A)	55022-1085-68	1
BOLT,6X16 (Ref # 92002)	92002-1124	1
BOLT (Ref # 92002A)	92002-1319	2
SCREW,4X48 (Ref # 92009)	92009-1065	1
SCREW,6X8 (Ref # 92009A)	92009-1294	2
NUT,5MM (Ref # 92015)	92015-1354	2
COLLAR,L=14 (Ref # 92027)	92027-1134	2
COLLAR,L=4.6 (Ref # 92027A)	92027-1168	1
BULB,12V 60/55W,H4 (Ref # 92069)	92069-1002	1
DAMPER (Ref # 92160)	92160-1007	2