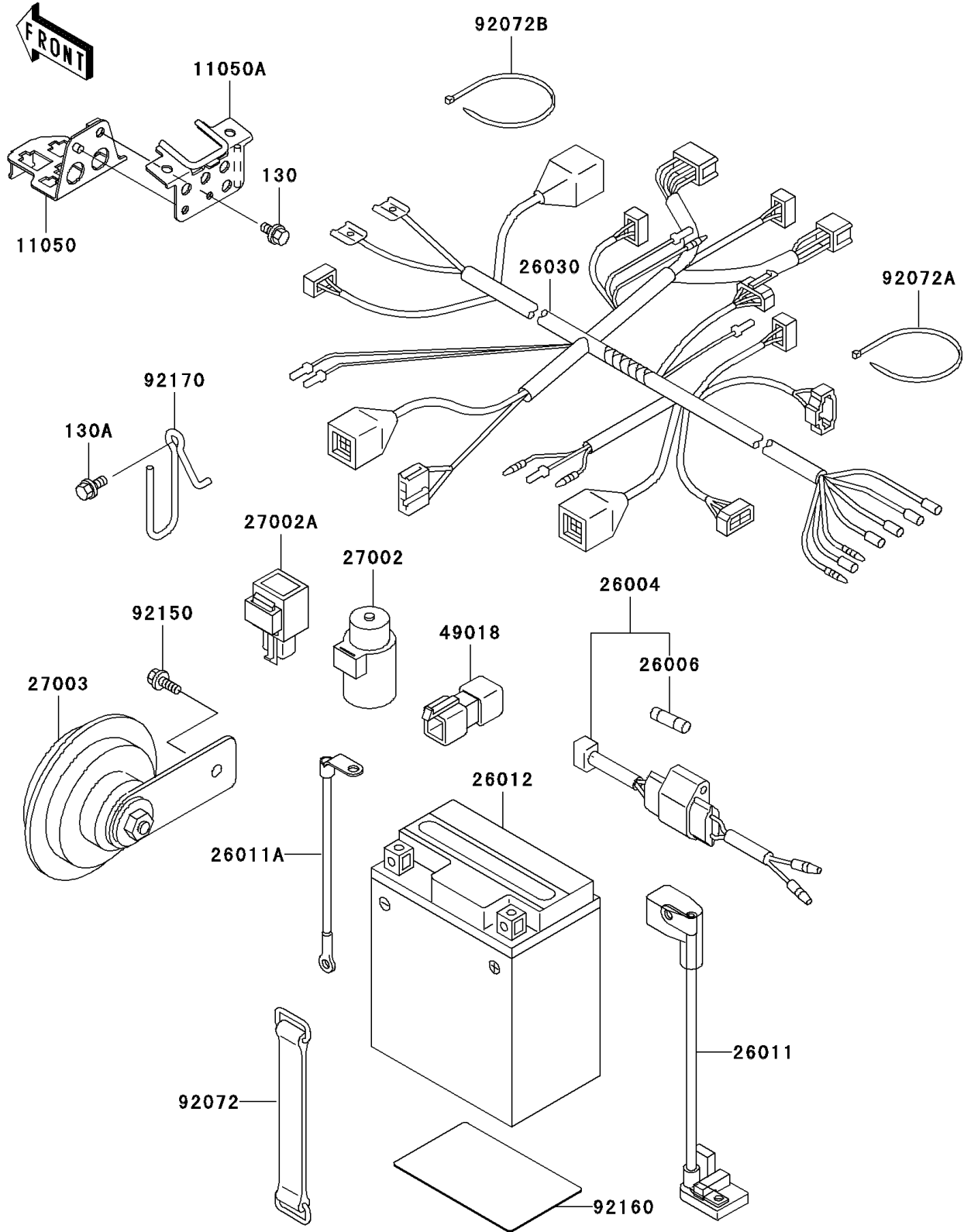


2003 Super Sherpa PARTS DIAGRAM

Chassis Electrical Equipment

F2760



2003 Super Sherpa PARTS LIST

Chassis Electrical Equipment

ITEM NAME	PART NUMBER	QUANTITY
BOLT-FLANGED (Ref # 130)	130J0610	1
BOLT-FLANGED (Ref # 130A)	130J0612	1
BRACKET,HARNESS COUPLER (Ref # 11050)	11050-1443	1
BRACKET,HARNESS COUPLER (Ref # 11050A)	11050-1444	1
FUSE-ASSY (Ref # 26004)	26004-1108	1
FUSE,10A,L=30 (Ref # 26006)	26006-1002	3
WIRE-LEAD,BATTERY(+) (Ref # 26011)	26011-1659	1
WIRE-LEAD,BATTERY(-) (Ref # 26011A)	26011-1660	1
BATTERY,YTX7L-BS,12V 6AH (Ref # 26012)	26012-1321	1
HARNESS,MAIN (Ref # 26030)	26030-1661	1
RELAY-ASSY (Ref # 27002)	27002-1051	1
RELAY-ASSY,TURN SIGNAL (Ref # 27002A)	27002-1101	1
HORN (Ref # 27003)	27003-1366	1
DIODE (Ref # 49018)	49018-1052	1
BAND,L=150 (Ref # 92072)	92072-1188	1
BAND,L=202 (Ref # 92072A)	92072-1195	12
BAND,L=140 (Ref # 92072B)	92072-1293	4
BOLT,6X14 (Ref # 92150)	92150-1340	1
DAMPER,BATTERY (Ref # 92160)	92160-1880	1
CLAMP,HARNESS (Ref # 92170)	92170-1787	1