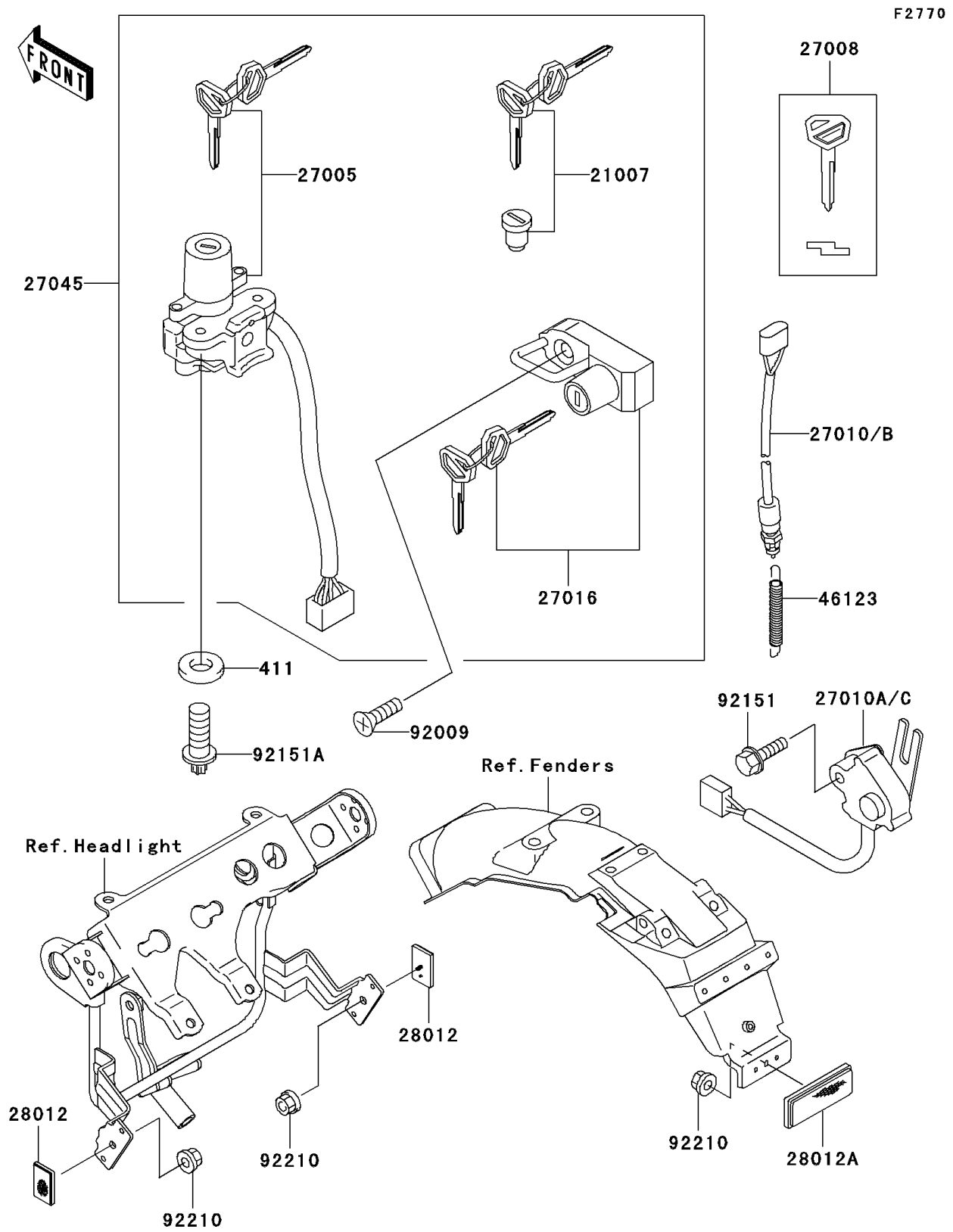


2003 Super Sherpa PARTS DIAGRAM

Ignition Switch



2003 Super Sherpa PARTS LIST

Ignition Switch

ITEM NAME	PART NUMBER	QUANTITY
WASHER-PLAIN,6MM (Ref # 411)	411E0600	2
ROTOR,LOCK,TANK CAP (Ref # 21007)	21007-5040	1
SWITCH-ASSY-IGNITION (Ref # 27005)	27005-1203	1
KEY-LOCK,BLANK (Ref # 27008)	27008-1170	1
SWITCH,BRAKE LAMP (Ref # 27010B)	27010-1462	1
SWITCH,SIDE STAND (Ref # 27010C)	27010-1471	1
LOCK-ASSY,HELMET (Ref # 27016)	27016-5207	1
SWITCH-ASSY (Ref # 27045)	27045-5038	1
REFLECTOR-REFLEX (Ref # 28012)	28012-1003	2
REFLECTOR-REFLEX (Ref # 28012A)	28012-1077	1
SPRING-COMP,REAR BRAKE SWITCH (Ref # 46123)	46123-1056	1
SCREW,6X30 (Ref # 92009)	92009-1753	1
BOLT,FLANGED,6X30 (Ref # 92151)	92151-1216	1
BOLT,TORX,6X16 (Ref # 92151A)	92151-1911	2
NUT,FLANGED,5MM (Ref # 92210)	92210-0007	3