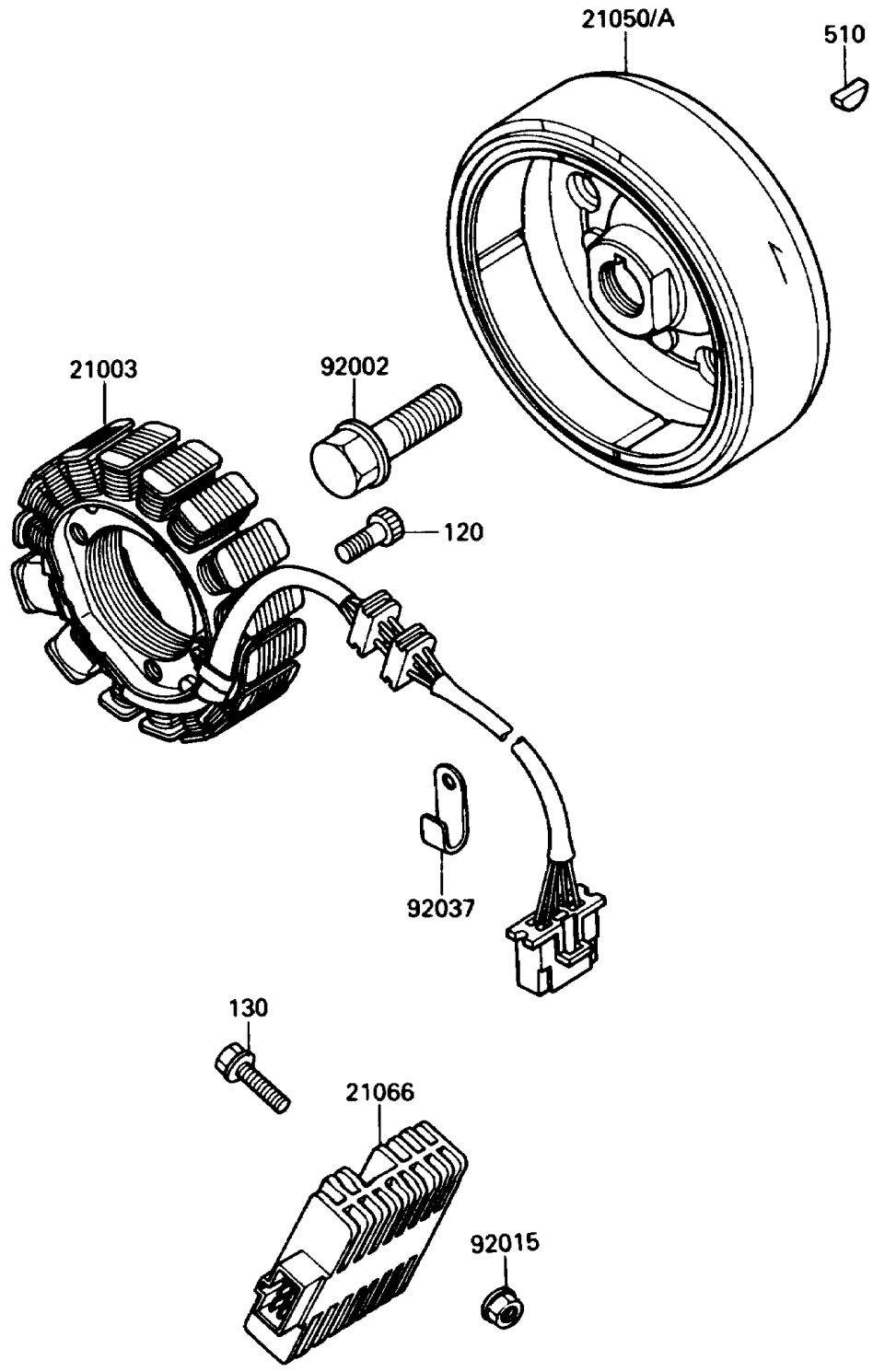


# 1990 KLR650 PARTS DIAGRAM

Generator

E181U



## 1990 KLR650 PARTS LIST

### Generator

| ITEM NAME                          | PART NUMBER | QUANTITY |
|------------------------------------|-------------|----------|
| STATOR (Ref # 21003)               | 21003-1170  | 1        |
| FLYWHEEL (Ref # 21050A)            | 21050-1139  | 1        |
| REGULATOR-VOLTAGE (Ref # 21066)    | 21066-1038  | 1        |
| BOLT,FLANGED,12X40 (Ref # 92002)   | 92002-1693  | 1        |
| NUT,FLANGED,6MM (Ref # 92015)      | 92015-1078  | 2        |
| CLAMP,WIRING HARNESS (Ref # 92037) | 21126-008   | 1        |
| BOLT-SOCKET,6X28 (Ref # 120)       | 120P0628    | 3        |
| BOLT-FLANGED,6X25 (Ref # 130)      | 130G0625    | 2        |
| KEY-WOODRUFF (Ref # 510)           | 510A4200    | 1        |