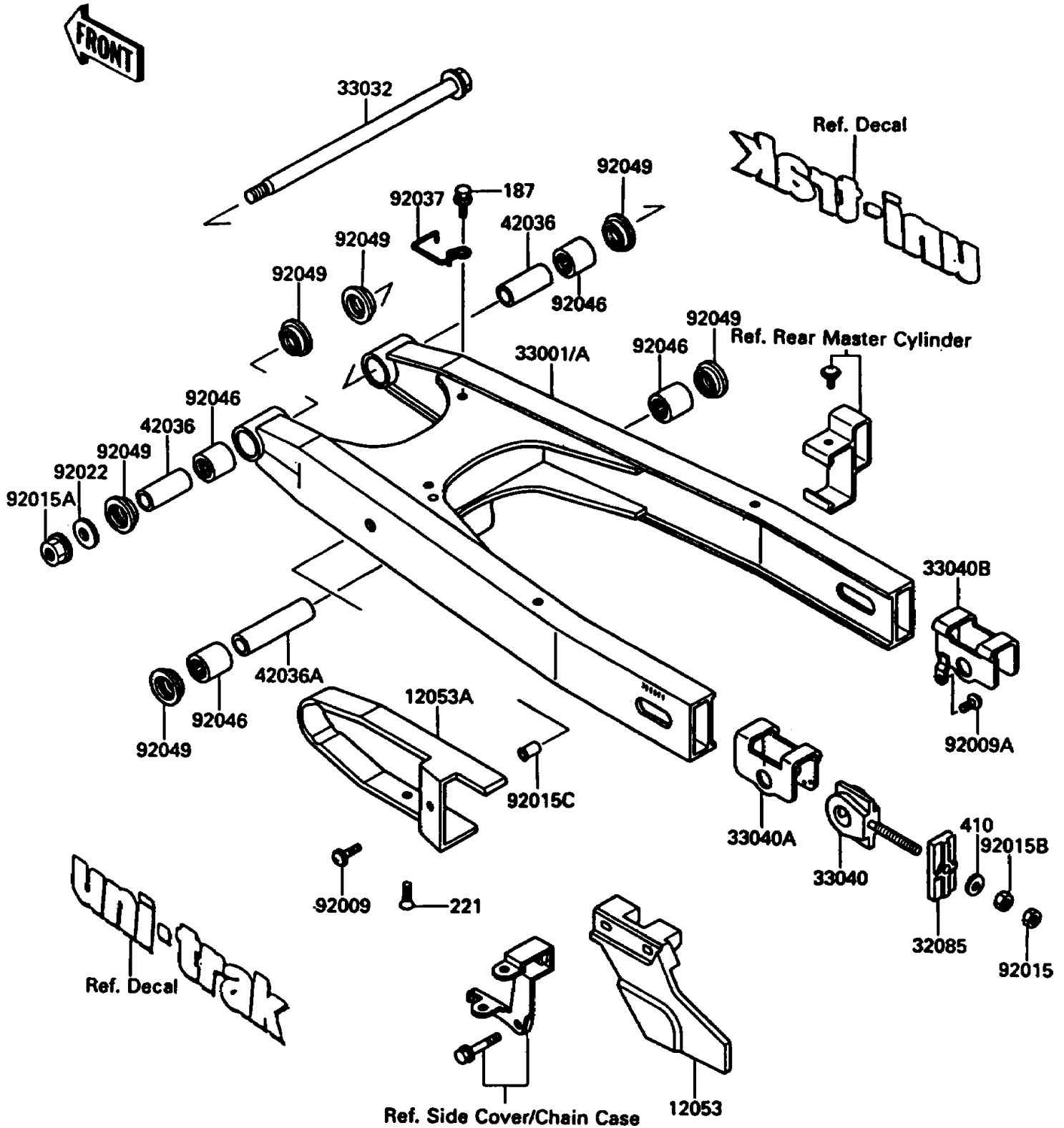


1990 KLR650 PARTS DIAGRAM

Swing Arm

F2141



1990 KLR650 PARTS LIST

Swing Arm

ITEM NAME	PART NUMBER	QUANTITY
-----------	-------------	----------