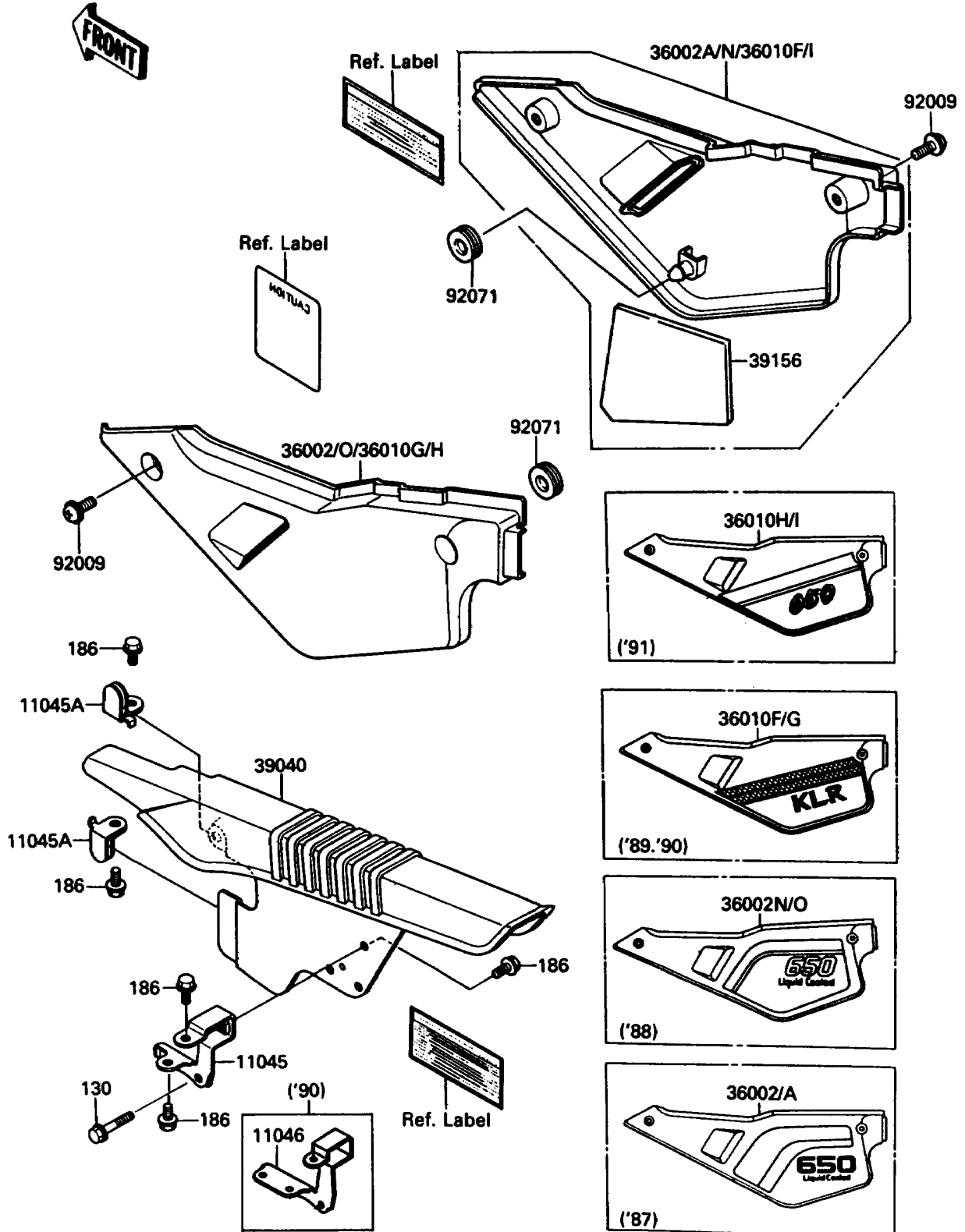


1989 KLR650 PARTS DIAGRAM

Side Cover/Chain Case

F2610



1989 KLR650 PARTS LIST

Side Cover/Chain Case

ITEM NAME	PART NUMBER	QUANTITY
BRACKET,CHAIN CASE,RR (Ref # 11045)	11045-1334	1
BRACKET,CHAIN CASE,FR (Ref # 11045A)	11045-1335	2
COVER-SIDE,RH,P.WHITE (Ref # 36010F)	36010-5157-6F	1
COVER-SIDE,LH,P.WHITE (Ref # 36010G)	36010-5158-6F	1
COVER-ASSY-CHAIN CASE (Ref # 39040)	39040-1054	1
PAD,SIDE COVER (Ref # 39156)	39156-1073	1
SCREW,6X10 (Ref # 92009)	92009-1286	4
GROMMET (Ref # 92071)	92071-056	2
BOLT-FLANGED (Ref # 130)	130H0640	2
BOLT-UPSET-WP (Ref # 186)	186C0612	5