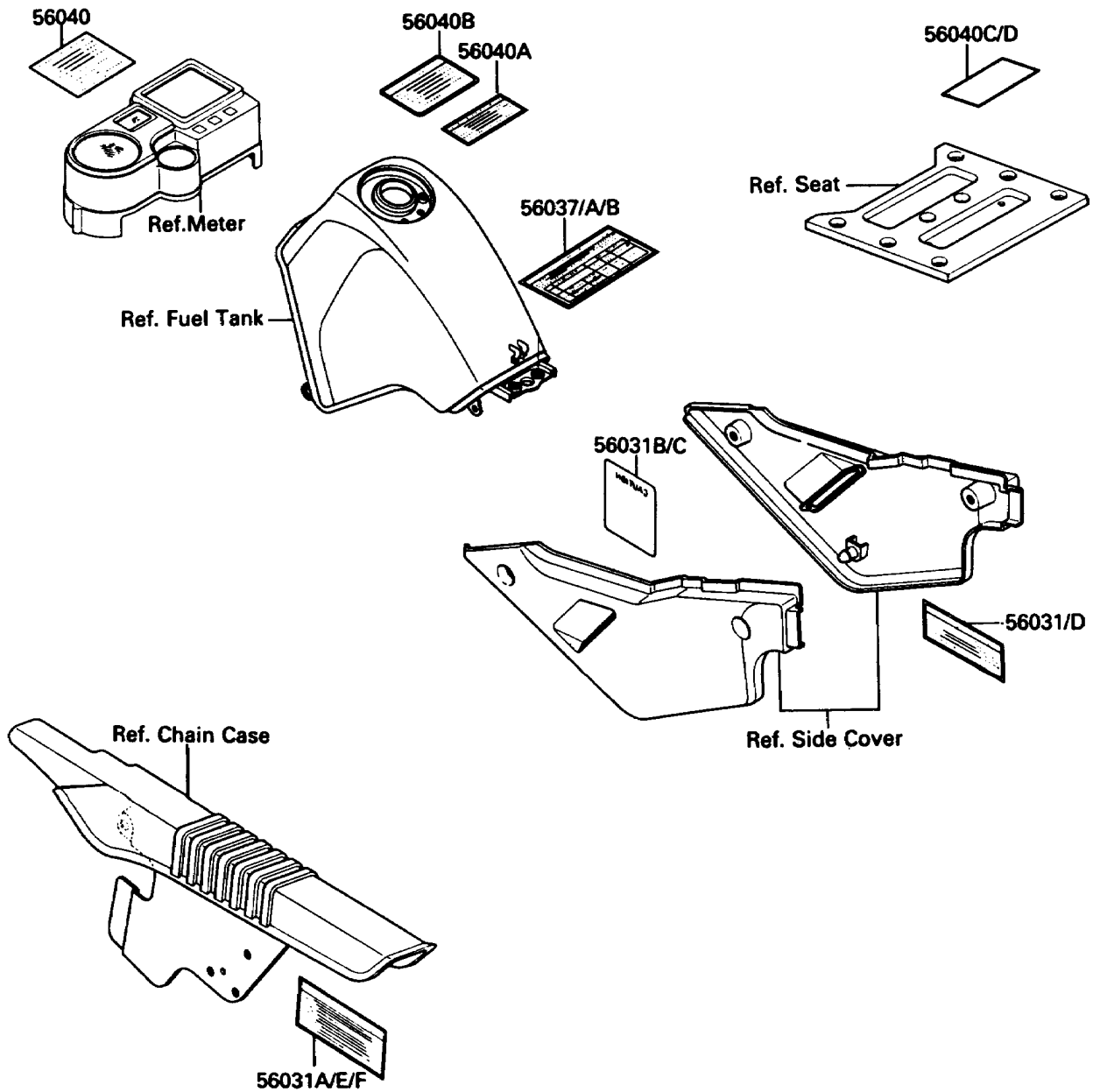


1990 KLR650 PARTS DIAGRAM

Label

F2860



1990 KLR650 PARTS LIST

Label

ITEM NAME	PART NUMBER	QUANTITY
-----------	-------------	----------