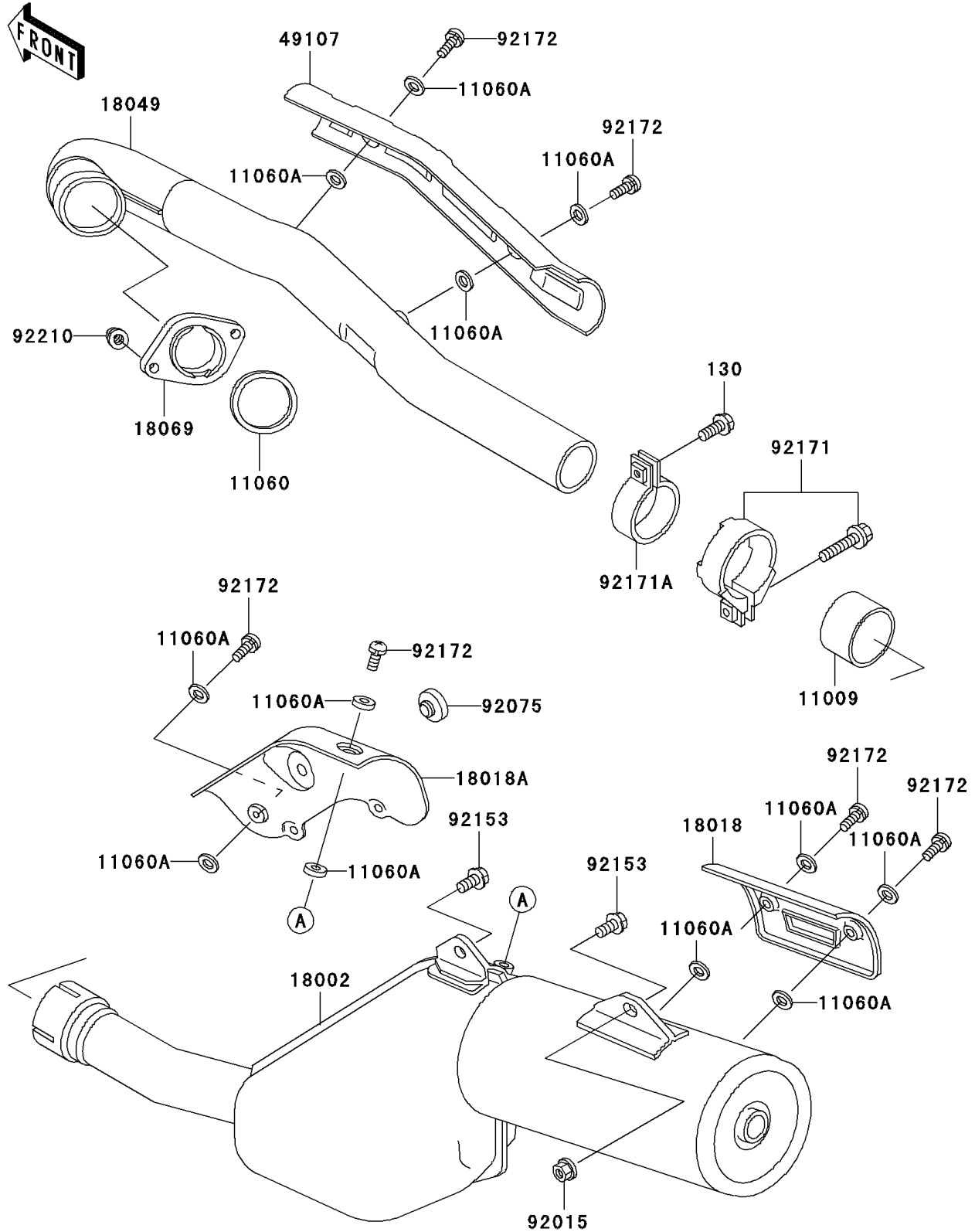


## 2003 KLR650 PARTS DIAGRAM

Muffler(s)

E1140



## 2003 KLR650 PARTS LIST

### Muffler(s)

ITEM NAME	PART NUMBER	QUANTITY
BOLT-FLANGED (Ref # 130)	130Y0820	1
GASKET,EXHAUST PIPE CONNECTING (Ref # 11009)	11009-1666	1
GASKET,EXHAUST PIPE HOLDER (Ref # 11060)	11060-1108	1
GASKET,6.2X11.5X1.5 (Ref # 11060A)	11060-1109	12
BODY-COMP-MUFFLER (Ref # 18002)	18002-1887	1
PLATE-HEAT GUARD (Ref # 18018)	18018-1053	1
PLATE-HEAT GUARD (Ref # 18018A)	18018-1072	1
PIPE-EXHAUST (Ref # 18049)	18049-1460	1
HOLDER-EXHAUST PIPE (Ref # 18069)	18069-1063	1
COVER-EXHAUST PIPE,FR (Ref # 49107)	49107-1100	1
NUT,8MM (Ref # 92015)	92015-1402	1
DAMPER (Ref # 92075)	92075-005	2
BOLT,8X16 (Ref # 92153)	92153-0465	2
CLAMP (Ref # 92171)	92171-0139	1
CLAMP (Ref # 92171A)	92171-0140	1
SCREW,6X10 (Ref # 92172)	92172-0097	6
NUT,CAP,8MM (Ref # 92210)	92210-1132	2