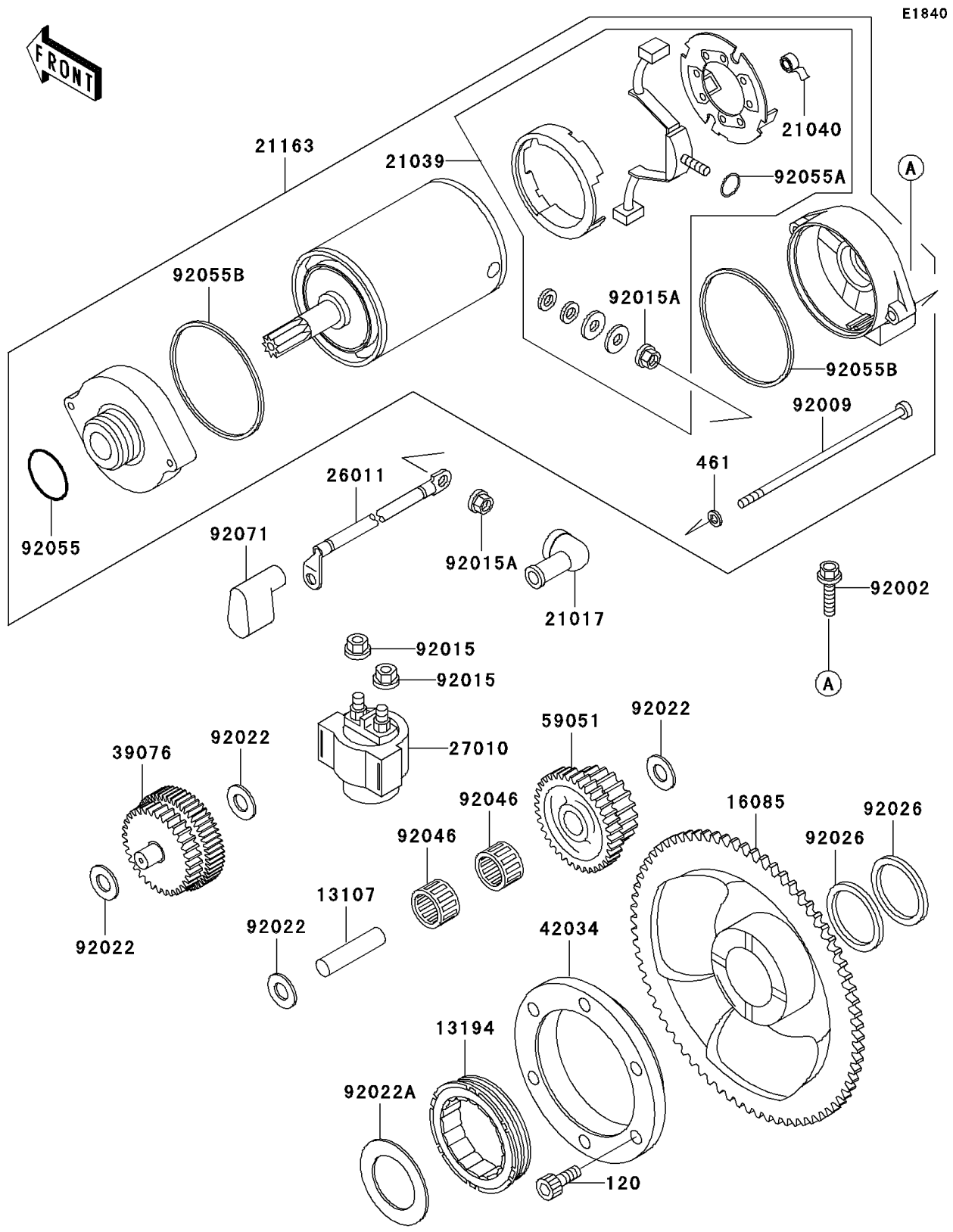


2001 KLR650 PARTS DIAGRAM

Starter Motor



2001 KLR650 PARTS LIST

Starter Motor

| ITEM NAME | PART NUMBER | QUANTITY |
|---|-------------|----------|
| BOLT-SOCKET (Ref # 120) | 120P0818 | 6 |
| WASHER-SPRING,5MM (Ref # 461) | 461F0500 | 2 |
| SHAFT,IDLER (Ref # 13107) | 13107-1135 | 1 |
| CLUTCH-ONEWAY (Ref # 13194) | 13194-1089 | 1 |
| GEAR,ONEWAY CLUTCH (Ref # 16085) | 16085-1205 | 1 |
| GROMMET,STARTER TERMINAL (Ref # 21017) | 21017-017 | 1 |
| BRUSH,CARBON (Ref # 21039) | 21039-1060 | 1 |
| SPRING-BRUSH (Ref # 21040) | 21040-1055 | 4 |
| STARTER-ELECTRIC (Ref # 21163) | 21163-1108 | 1 |
| WIRE-LEAD,STARTER MOTOR (Ref # 26011) | 26011-1397 | 1 |
| SWITCH,STARTER (Ref # 27010) | 27010-1314 | 1 |
| LIMITER,STARTER IDLE GEAR (Ref # 39076) | 39076-1056 | 1 |
| COUPLING (Ref # 42034) | 42034-1094 | 1 |
| GEAR-SPUR,20T & 37T (Ref # 59051) | 59051-1133 | 1 |
| BOLT,6X25 (Ref # 92002) | 92002-1086 | 2 |
| SCREW (Ref # 92009) | 92009-1369 | 2 |
| NUT,FLANGED,6MM (Ref # 92015) | 92015-1193 | 2 |
| NUT,STARTER MOTOR (Ref # 92015A) | 92015-1476 | 2 |
| WASHER,10.2X20X0.5 (Ref # 92022) | 92022-1649 | 4 |
| WASHER,32.2X50X1.0 (Ref # 92022A) | 92022-1650 | 1 |
| SPACER (Ref # 92026) | 92026-1474 | 2 |
| BEARING-NEEDLE,K10X14X10 (Ref # 92046) | 92046-1134 | 2 |
| RING-O (Ref # 92055) | 92055-1276 | 1 |
| RING-O,4.5X2.0 (Ref # 92055A) | 92055-1370 | 1 |
| RING-O,STARTER MOTOR (Ref # 92055B) | 92055-1381 | 2 |
| GROMMET,TERMINAL (Ref # 92071) | 92071-1130 | 1 |