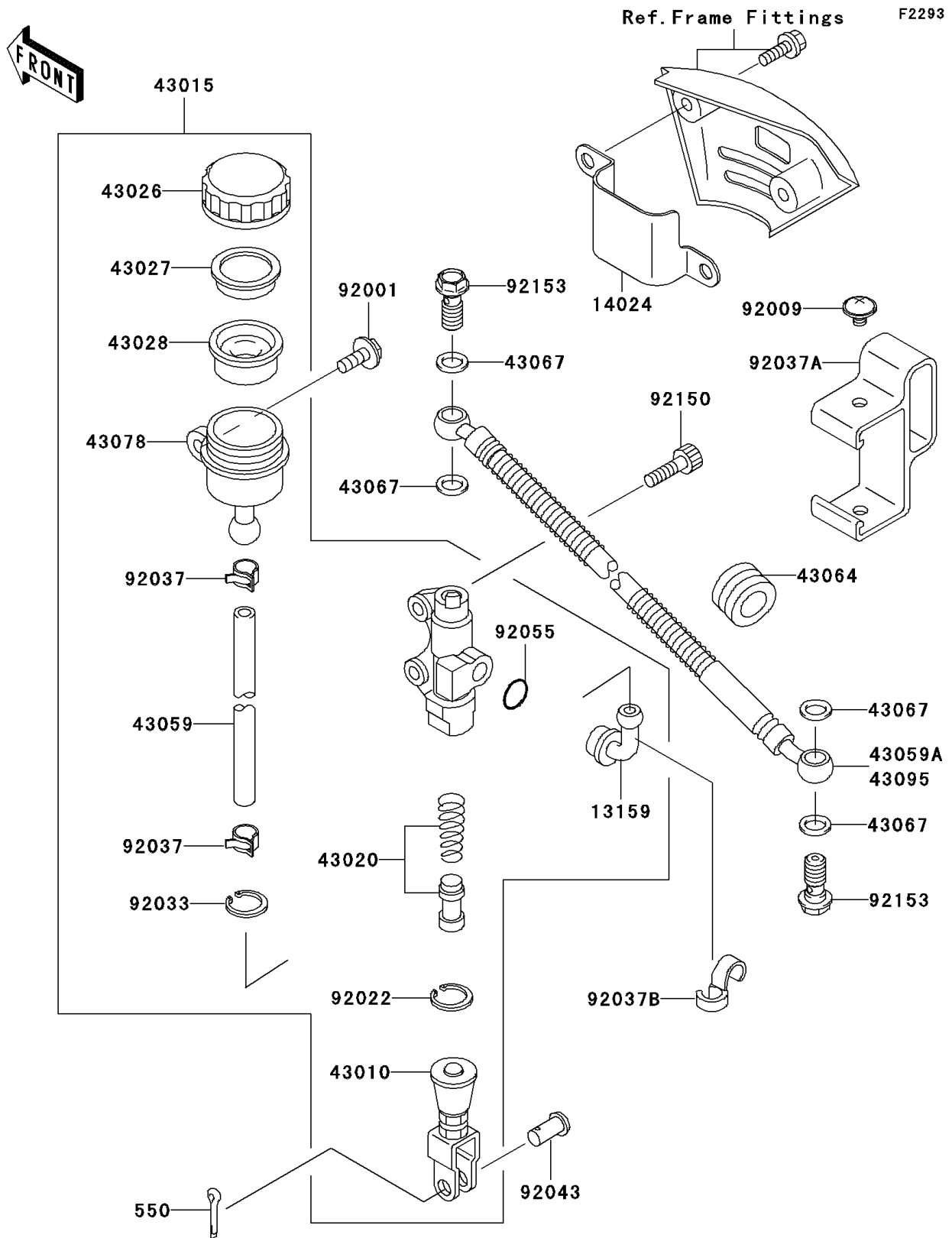


# 2003 KLR650 PARTS DIAGRAM

Rear Master Cylinder



## 2003 KLR650 PARTS LIST

### Rear Master Cylinder

ITEM NAME	PART NUMBER	QUANTITY
PIN-COTTER,2.0X15 (Ref # 550)	550D2015	1
CONNECTOR (Ref # 13159)	13159-1056	1
COVER,RESERVOIR TANK (Ref # 14024)	14024-1531	1
ROD-ASSY-BRAKE (Ref # 43010)	43010-1062	1
CYLINDER-ASSY-MASTER,RR (Ref # 43015)	43015-1365	1
PISTON-COMP-BRAKE (Ref # 43020)	43020-1063	1
CAP-BRAKE (Ref # 43026)	43026-1064	1
PLATE-DIAPHRAGM (Ref # 43027)	43027-1053	1
DIAPHRAGM (Ref # 43028)	43028-1065	1
HOSE-BRAKE (Ref # 43059)	43059-1408	1
GROMMET,HOSE CLAMP (Ref # 43064)	43064-007	1
WASHER,10.5X15X1.5 (Ref # 43067)	43067-001	4
RESERVOIR (Ref # 43078)	43078-1080	1
HOSE-BRAKE,RR (Ref # 43095)	43095-1341	1
BOLT,W/P,6X16 (Ref # 92001)	92001-1860	1
SCREW,6X10,WHITE (Ref # 92009)	92009-1286	1
WASHER,CIRCRIP (Ref # 92022)	92022-1601	1
RING-SNAP,20.5MM (Ref # 92033)	92033-1186	1
CLAMP (Ref # 92037)	92037-1710	2
CLAMP,HOSE (Ref # 92037A)	92037-1895	1
CLAMP,HOSE (Ref # 92037B)	92037-1914	1
PIN,8MM (Ref # 92043)	92043-1303	1
RING-O,MASTER CYLINDER (Ref # 92055)	92055-1251	1
BOLT,SOCKET,8X30 (Ref # 92150)	92150-1843	2
BOLT,OIL,L=23 (Ref # 92153)	92153-0627	2