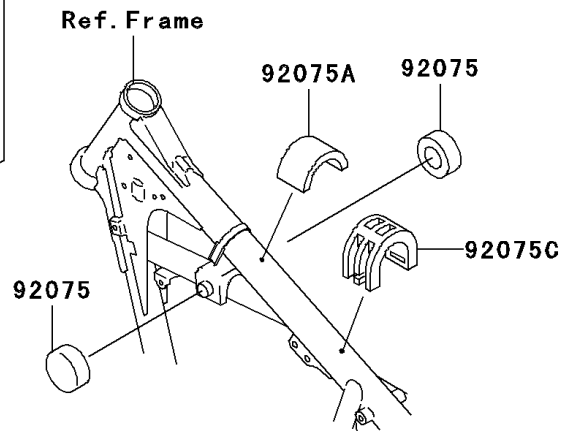
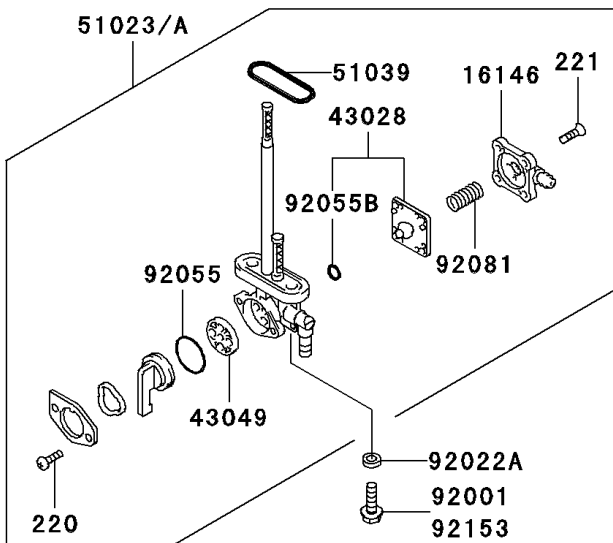
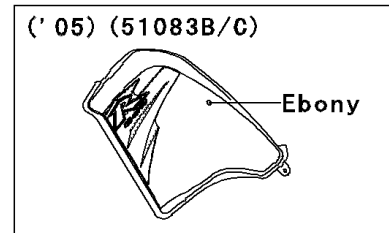
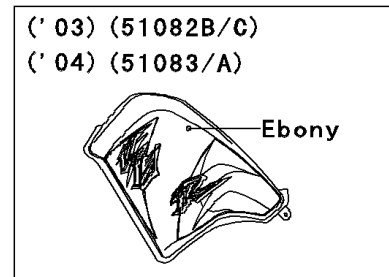
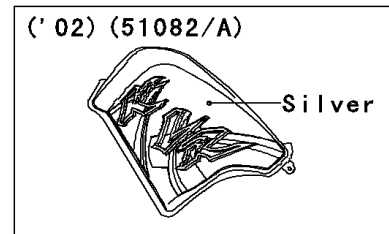
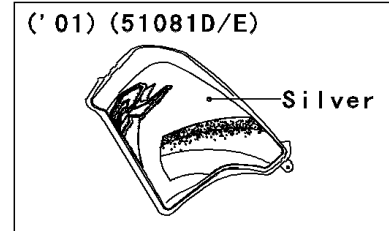
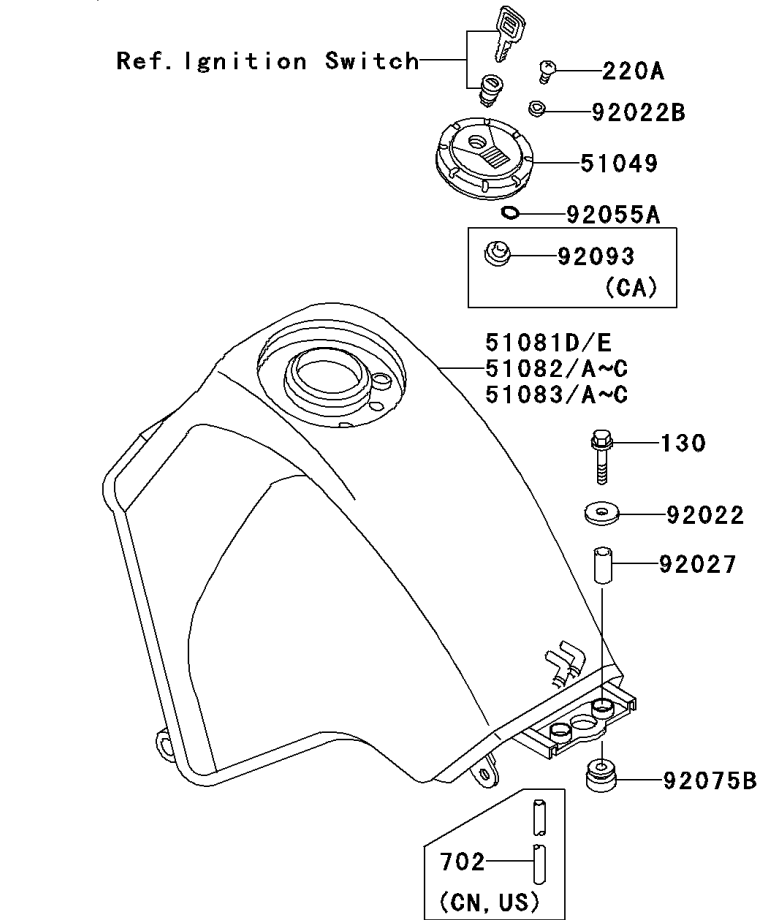


2001 KLR650 PARTS DIAGRAM

Fuel Tank(4/4)

F2410



2001 KLR650 PARTS LIST

Fuel Tank(4/4)

ITEM NAME	PART NUMBER	QUANTITY
COVER-ASSY,TAP DIAPHRAGM (Ref # 16146)	16146-1010	1
DIAPHRAGM (Ref # 43028)	43028-1033	1
PACKING (Ref # 43049)	43049-1103	1
TAP-ASSY,FUEL (Ref # 51023A)	51023-1390	1
RING,TAP FLANGED (Ref # 51039)	51039-003	1
CAP-TANK,FUEL (Ref # 51049)	51049-1134	1
BOLT,6X20 (Ref # 92001)	92001-1091	2
WASHER,6.5X20X1.6 (Ref # 92022)	92022-125	2
WASHER,6.2X11X1.5 (Ref # 92022A)	92022-183	2
WASHER,5.1X10X1.0 (Ref # 92022B)	92022-1977	2
COLLAR,6.8X10X20 (Ref # 92027)	92027-1856	2
RING-O,TAP LEVER (Ref # 92055)	92055-1085	1
RING-O,ID=9 (Ref # 92055A)	92055-1552	2
RING-O (Ref # 92055B)	92055-1664	1
DAMPER,FUEL TANK (Ref # 92075)	92075-101	2
DAMPER (Ref # 92075A)	92075-1507	1
DAMPER (Ref # 92075B)	92075-1660	2
DAMPER,FUEL TANK (Ref # 92075C)	92075-1862	1
SPRING,TAP DIAPHRAGM (Ref # 92081)	92081-1240	1
BOLT-FLANGED,6X30,BLACK (Ref # 130)	130J0630	2
SCREW-PAN-CROS (Ref # 220)	220B0308	2
SCREW-PAN-CROS (Ref # 220A)	220D0510	2
SCREW-CSK-CROS,4X14 (Ref # 221)	221B0414	4
TANK-COMP-FUEL,G.SILVER (Ref # 51081D)	51081-5387-F2	1
TANK-COMP-FUEL,G.SILVER (Ref # 51081E)	51081-5388-F2	1
SEAL,FUEL TANK CAP (Ref # 92093)	92093-1030	1
TUBE-RUBBER,5X8X620 (Ref # 702)	702A05620	1