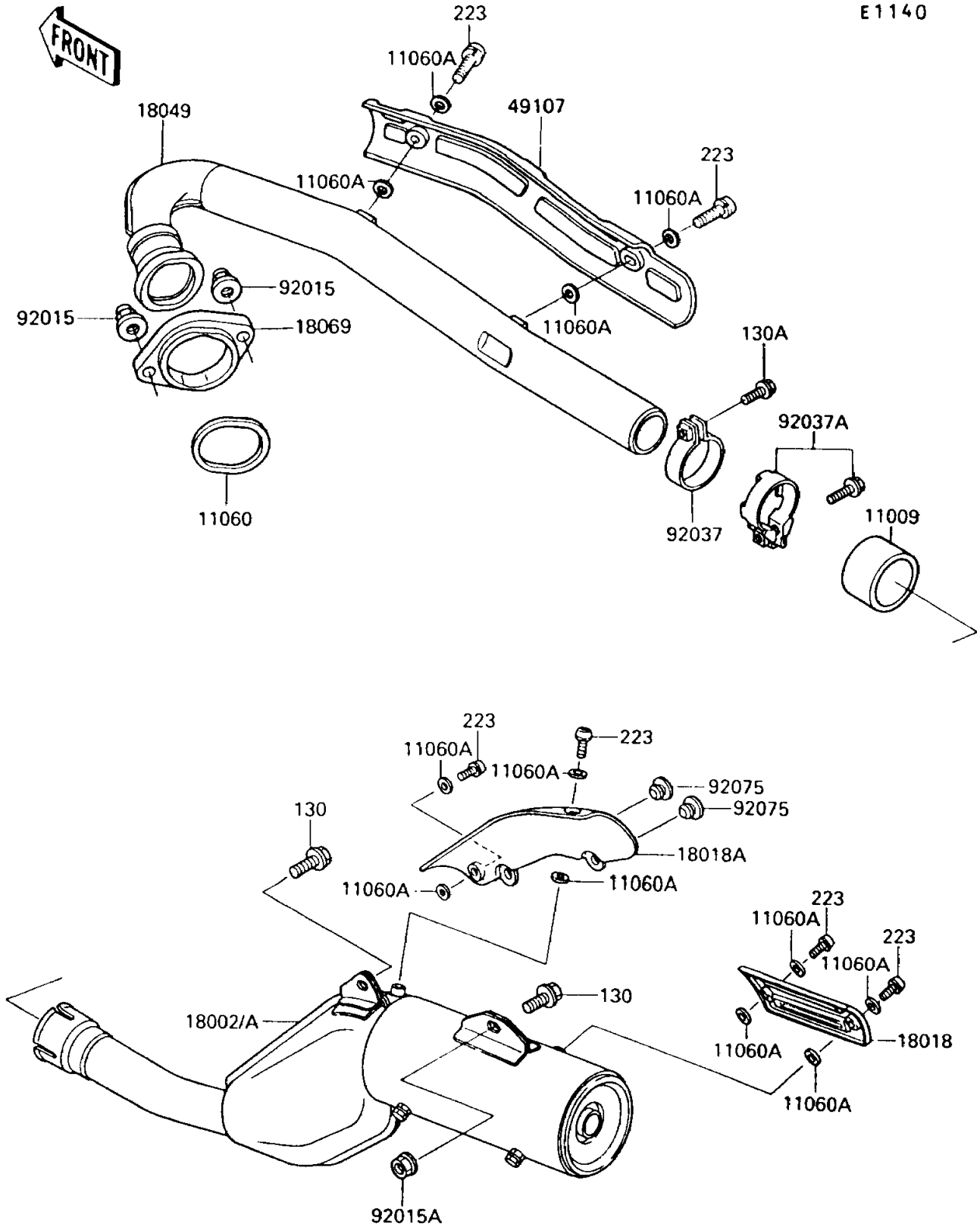


1992 KLR650 PARTS DIAGRAM

Muffler(s)

E1140



1992 KLR650 PARTS LIST

Muffler(s)

| ITEM NAME | PART NUMBER | QUANTITY |
|--|-------------|----------|
| GASKET,EXHAUST PIPE CONNECTING (Ref # 11009) | 11009-1666 | 1 |
| GASKET,EXHAUST PIPE HOLDER (Ref # 11060) | 11060-1108 | 1 |
| GASKET,6.2X11.5X1.5 (Ref # 11060A) | 11060-1109 | 12 |
| BODY-COMP-MUFFLER (Ref # 18002) | 18002-1886 | 1 |
| BODY-COMP-MUFFLER (Ref # 18002A) | 18002-1887 | 1 |
| PLATE-HEAT GUARD (Ref # 18018) | 18018-1053 | 1 |
| PLATE-HEAT GUARD (Ref # 18018A) | 18018-1072 | 1 |
| PIPE-EXHAUST (Ref # 18049) | 18049-1460 | 1 |
| HOLDER-EXHAUST PIPE (Ref # 18069) | 18069-1063 | 1 |
| COVER-EXHAUST PIPE,FR (Ref # 49107) | 49107-1073 | 1 |
| NUT,CAP,8MM,BLACK (Ref # 92015) | 92015-1174 | 2 |
| NUT,8MM (Ref # 92015A) | 92015-1402 | 1 |
| CLAMP,43MM (Ref # 92037) | 92037-1888 | 1 |
| CLAMP (Ref # 92037A) | 92037-1910 | 1 |
| DAMPER (Ref # 92075) | 92075-005 | 2 |
| BOLT-FLANGED,8X16,BLACK (Ref # 130) | 130J0816 | 2 |
| BOLT-FLANGED,8X20 (Ref # 130A) | 130J0820 | 1 |
| SCREW-PAN-WS-CROS (Ref # 223) | 223C0610 | 6 |