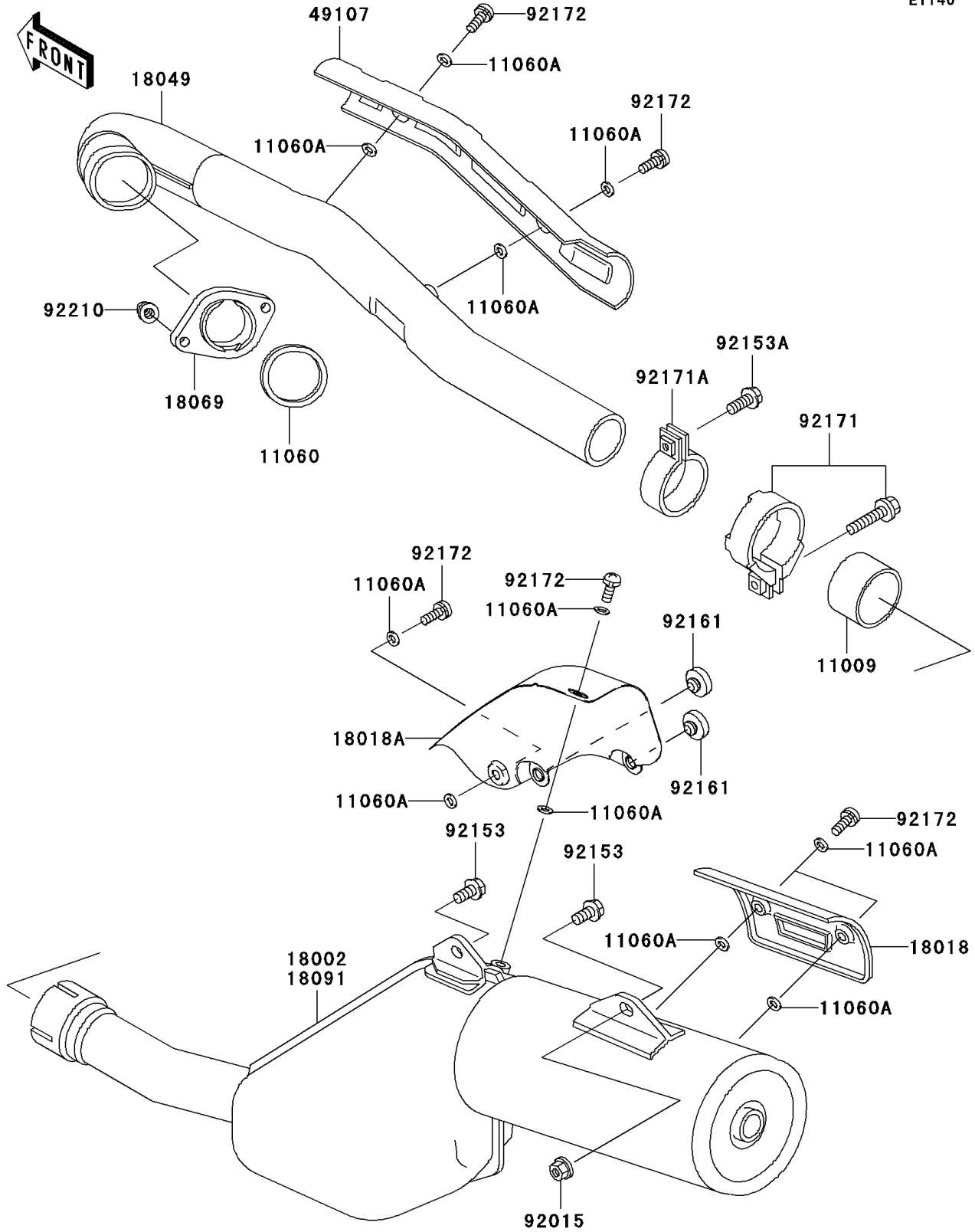


2007 KLR650 PARTS DIAGRAM

Muffler(s)

E1140



2007 KLR650 PARTS LIST

Muffler(s)

ITEM NAME	PART NUMBER	QUANTITY
GASKET,EXHAUST PIPE CONNECTING (Ref # 11009)	11009-1666	1
GASKET,EXHAUST PIPE HOLDER (Ref # 11060)	11060-1108	1
GASKET,6.2X11.5X1.5 (Ref # 11060A)	11060-1109	12
PLATE-HEAT GUARD (Ref # 18018)	18018-1053	1
PLATE-HEAT GUARD (Ref # 18018A)	18018-1072	1
PIPE-EXHAUST (Ref # 18049)	18049-1460	1
HOLDER-EXHAUST PIPE (Ref # 18069)	18069-1063	1
BODY-COMP-MUFFLER (Ref # 18091)	18091-0369	1
COVER-EXHAUST PIPE,FR (Ref # 49107)	49107-1100	1
NUT,8MM (Ref # 92015)	92015-1402	1
BOLT,8X16 (Ref # 92153)	92153-0465	2
BOLT,FLANGED,8X20 (Ref # 92153A)	92153-1322	1
DAMPER (Ref # 92161)	92161-0336	2
CLAMP (Ref # 92171)	92171-0139	1
CLAMP (Ref # 92171A)	92171-0140	1
SCREW,6X10 (Ref # 92172)	92172-0097	6
NUT,CAP,8MM (Ref # 92210)	92210-1132	2