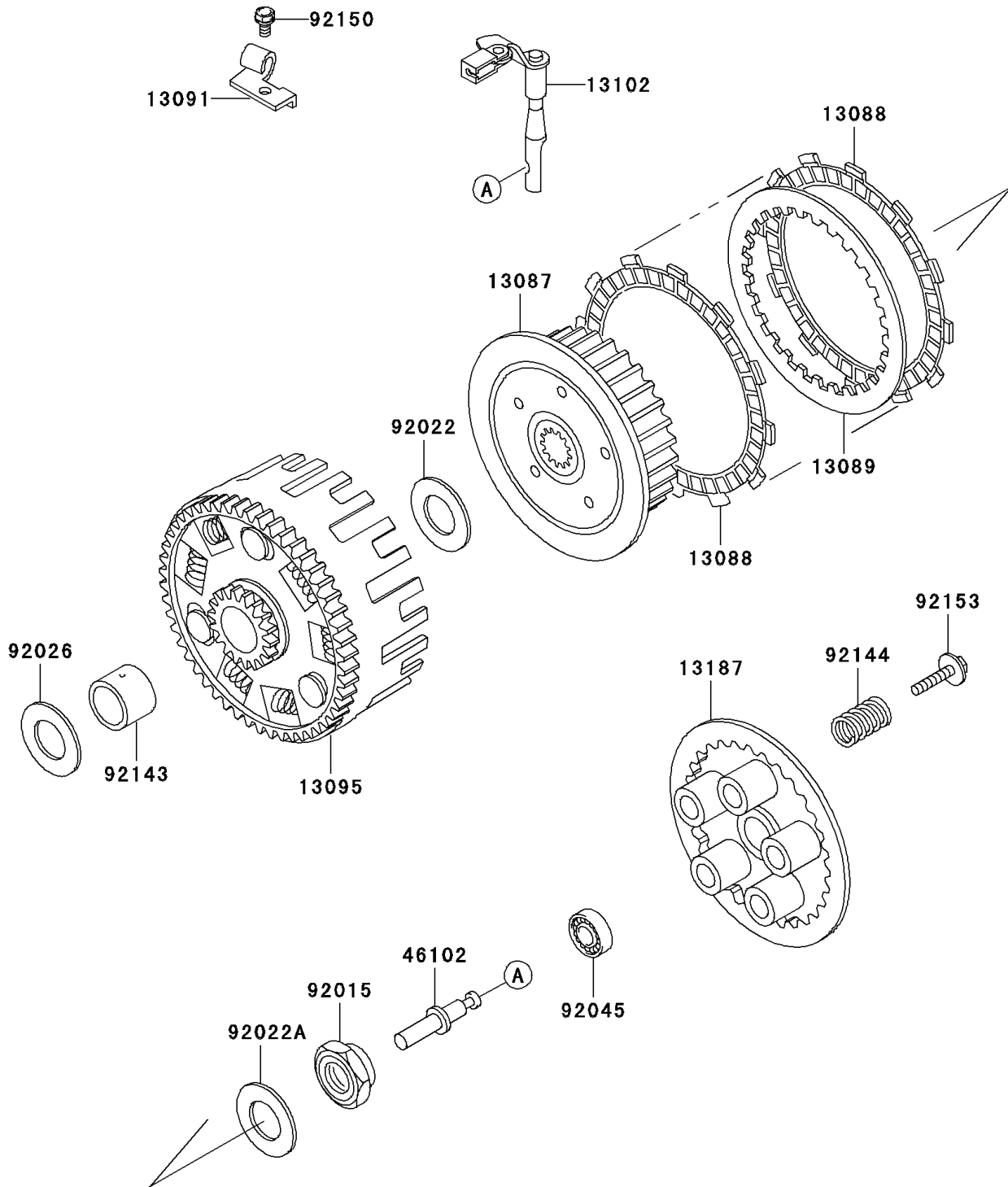


# 2006 KLR650 PARTS DIAGRAM

Clutch

E1350



## 2006 KLR650 PARTS LIST

### Clutch

| ITEM NAME                            | PART NUMBER | QUANTITY |
|--------------------------------------|-------------|----------|
| HUB-CLUTCH (Ref # 13087)             | 13087-0023  | 1        |
| PLATE-FRICTION (Ref # 13088)         | 13088-040   | 8        |
| PLATE-CLUTCH,T=2.0 (Ref # 13089)     | 13089-1068  | 7        |
| HOLDER,CLUTCH CABLE (Ref # 13091)    | 13091-1257  | 1        |
| HOUSING-COMP-CLUTCH (Ref # 13095)    | 13095-1311  | 1        |
| RELEASE-COMP-CLUTCH (Ref # 13102)    | 13102-1128  | 1        |
| PLATE-CLUTCH OPERATING (Ref # 13187) | 13187-1080  | 1        |
| ROD,CLUTCH (Ref # 46102)             | 46102-1030  | 1        |
| NUT,20MM (Ref # 92015)               | 92015-1555  | 1        |
| WASHER,25.5X52.6X2 (Ref # 92022)     | 92022-1476  | 1        |
| WASHER (Ref # 92022A)                | 92022-1868  | 1        |
| SPACER,25.1X38X4 (Ref # 92026)       | 92026-1206  | 1        |
| BEARING-BALL (Ref # 92045)           | 92045-1408  | 1        |
| COLLAR (Ref # 92143)                 | 92143-1769  | 1        |
| SPRING,CLUTCH (Ref # 92144)          | 92144-1559  | 5        |
| BOLT,6X12 (Ref # 92150)              | 92150-1965  | 1        |
| BOLT,6X30 (Ref # 92153)              | 92153-0643  | 5        |