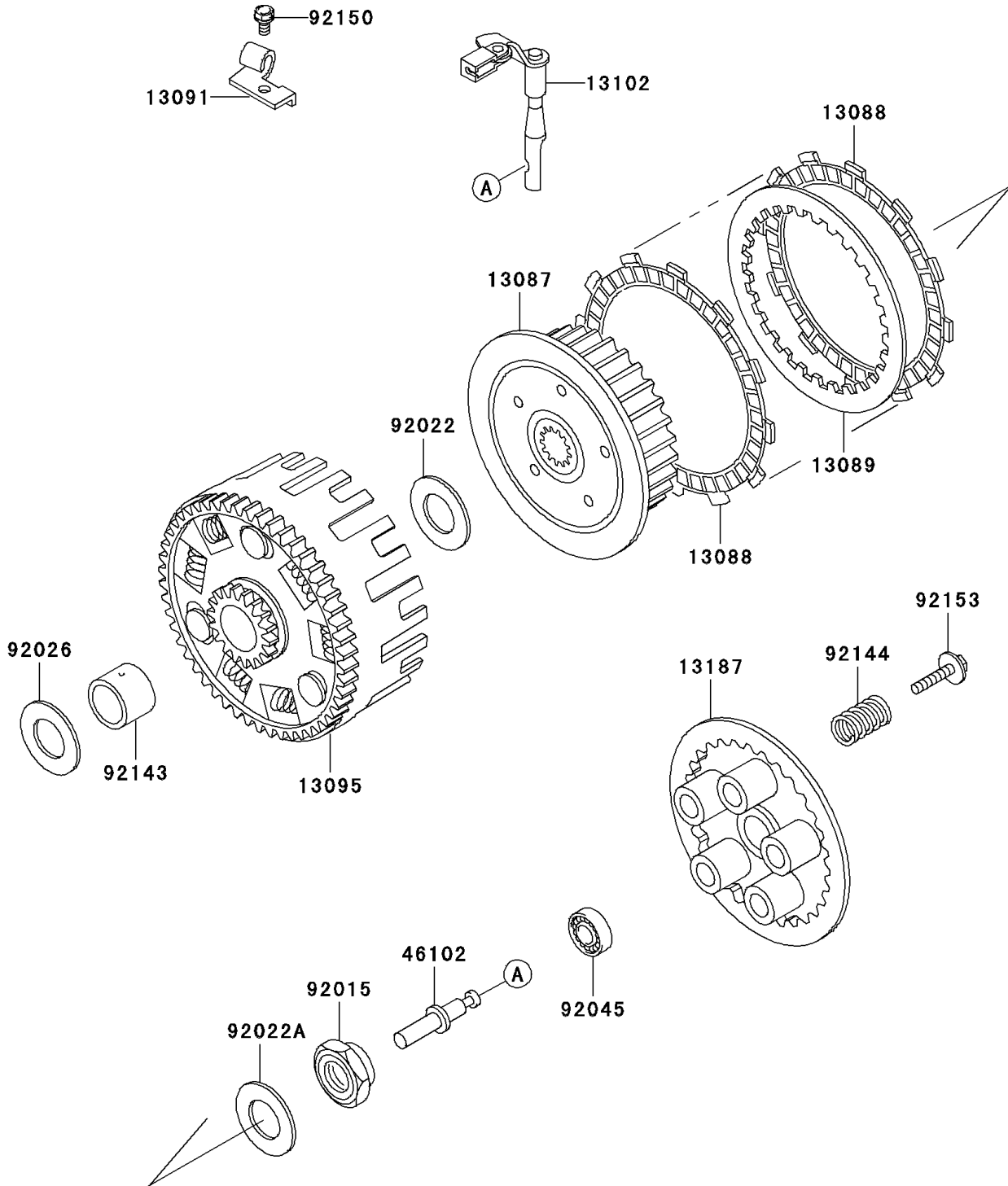


2007 KLR650 PARTS DIAGRAM

Clutch

E1350



2007 KLR650 PARTS LIST

Clutch

| ITEM NAME | PART NUMBER | QUANTITY |
|--------------------------------------|-------------|----------|
| HUB-CLUTCH (Ref # 13087) | 13087-0023 | 1 |
| PLATE-FRICTION (Ref # 13088) | 13088-040 | 8 |
| PLATE-CLUTCH,T=2.0 (Ref # 13089) | 13089-1068 | 7 |
| HOLDER,CLUTCH CABLE (Ref # 13091) | 13091-1257 | 1 |
| HOUSING-COMP-CLUTCH (Ref # 13095) | 13095-1311 | 1 |
| RELEASE-COMP-CLUTCH (Ref # 13102) | 13102-1128 | 1 |
| PLATE-CLUTCH OPERATING (Ref # 13187) | 13187-1080 | 1 |
| ROD,CLUTCH (Ref # 46102) | 46102-1030 | 1 |
| NUT,20MM (Ref # 92015) | 92015-1555 | 1 |
| WASHER,25.5X52.6X2 (Ref # 92022) | 92022-1476 | 1 |
| WASHER (Ref # 92022A) | 92022-1868 | 1 |
| SPACER,25.1X38X4 (Ref # 92026) | 92026-1206 | 1 |
| BEARING-BALL (Ref # 92045) | 92045-1408 | 1 |
| COLLAR (Ref # 92143) | 92143-1769 | 1 |
| SPRING,CLUTCH (Ref # 92144) | 92144-1559 | 5 |
| BOLT,6X12 (Ref # 92150) | 92150-1965 | 1 |
| BOLT,6X30 (Ref # 92153) | 92153-0643 | 5 |