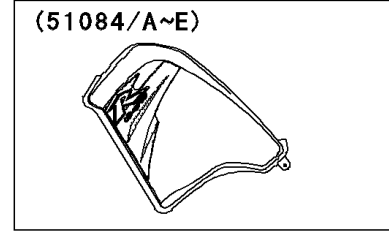
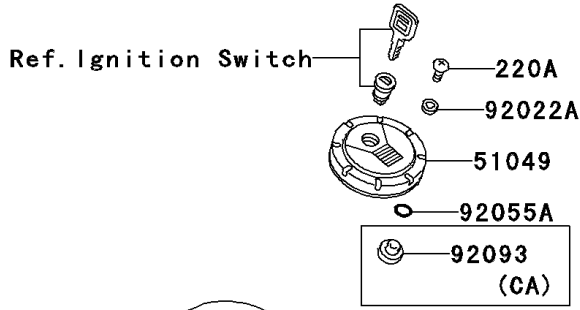


# 2006 KLR650 PARTS DIAGRAM

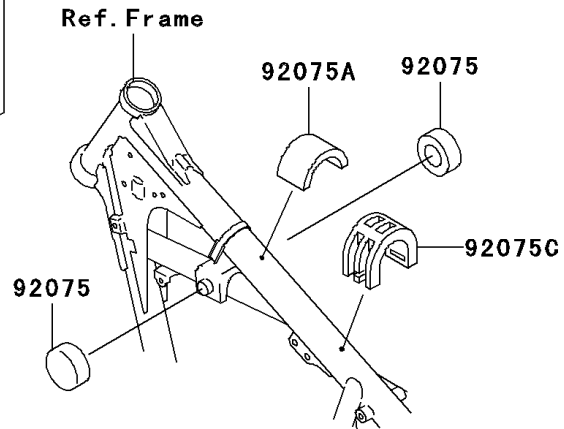
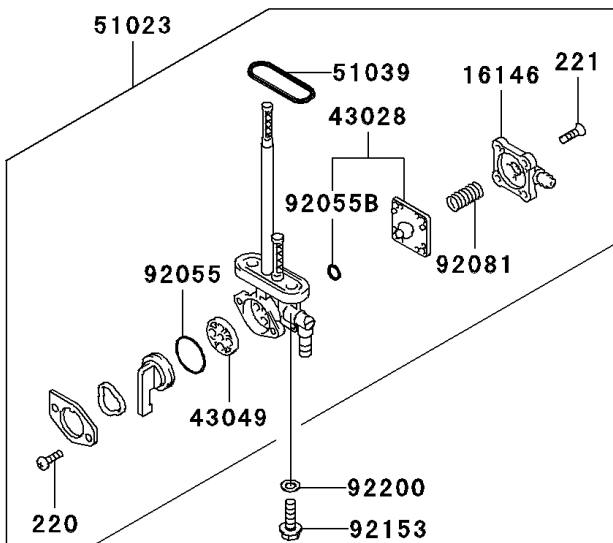
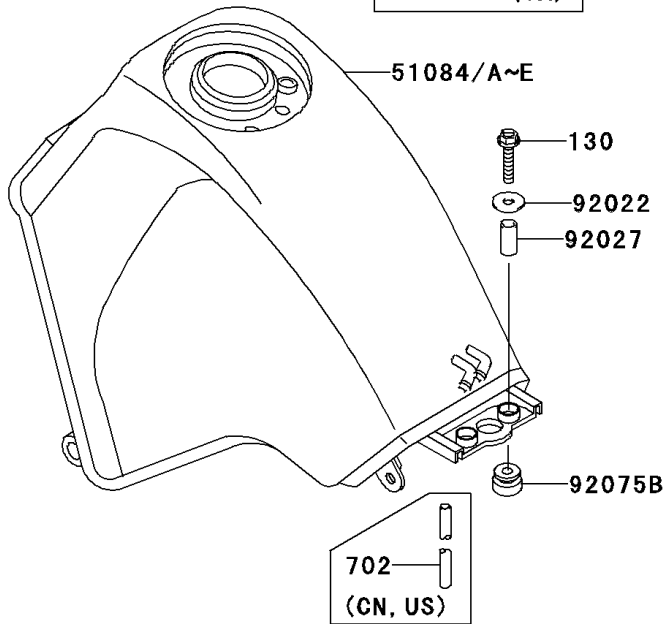
Fuel Tank

F2410



WD

(51084/B)	Silver-Red
(51084D/E)	Silver-Ebony
(51084A/C)	Ebony



## 2006 KLR650 PARTS LIST

### Fuel Tank

ITEM NAME	PART NUMBER	QUANTITY
COVER-ASSY,TAP DIAPHRAGM (Ref # 16146)	16146-1010	1
DIAPHRAGM (Ref # 43028)	43028-1033	1
PACKING (Ref # 43049)	43049-1103	1
TAP-ASSY,FUEL (Ref # 51023)	51023-0003	1
RING,TAP FLANGED (Ref # 51039)	51039-003	1
CAP-TANK,FUEL (Ref # 51049)	51049-1134	1
BOLT-FLANGED,6X30 (Ref # 130)	130J0630	2
SCREW-PAN-CROS,3X8 (Ref # 220)	220B0308	2
SCREW-PAN-CROS,5X10 (Ref # 220A)	220D0510	2
SCREW-CSK-CROS,4X14 (Ref # 221)	221B0414	4
WASHER,6.5X20X1.6 (Ref # 92022)	92022-125	2
WASHER,5.1X10X1.0 (Ref # 92022A)	92022-1977	2
COLLAR,6.8X10X20 (Ref # 92027)	92027-1856	2
RING-O,TAP LEVER (Ref # 92055)	92055-1085	1
RING-O,ID=9 (Ref # 92055A)	92055-1552	2
RING-O (Ref # 92055B)	92055-1664	1
DAMPER,FUEL TANK (Ref # 92075)	92075-101	2
DAMPER (Ref # 92075A)	92075-1507	1
DAMPER (Ref # 92075B)	92075-1660	2
DAMPER,FUEL TANK (Ref # 92075C)	92075-1862	1
SPRING,TAP DIAPHRAGM (Ref # 92081)	92081-1240	1
BOLT,FLANGED,6X20 (Ref # 92153)	92153-0746	2
WASHER,6.5X11.5X0.8 (Ref # 92200)	92200-0117	2
TANK-COMP-FUEL,M.P.SILVER (Ref # 51084)	51084-5059-170	1
TANK-COMP-FUEL,EBONY (Ref # 51084A)	51084-5060-H8	1
TANK-COMP-FUEL,M.P.SILVER (Ref # 51084B)	51084-5061-170	1
TANK-COMP-FUEL,EBONY (Ref # 51084C)	51084-5062-H8	1
TUBE-RUBBER,5X8X620 (Ref # 702)	702A05620	1
SEAL,FUEL TANK CAP (Ref # 92093)	92093-1030	1