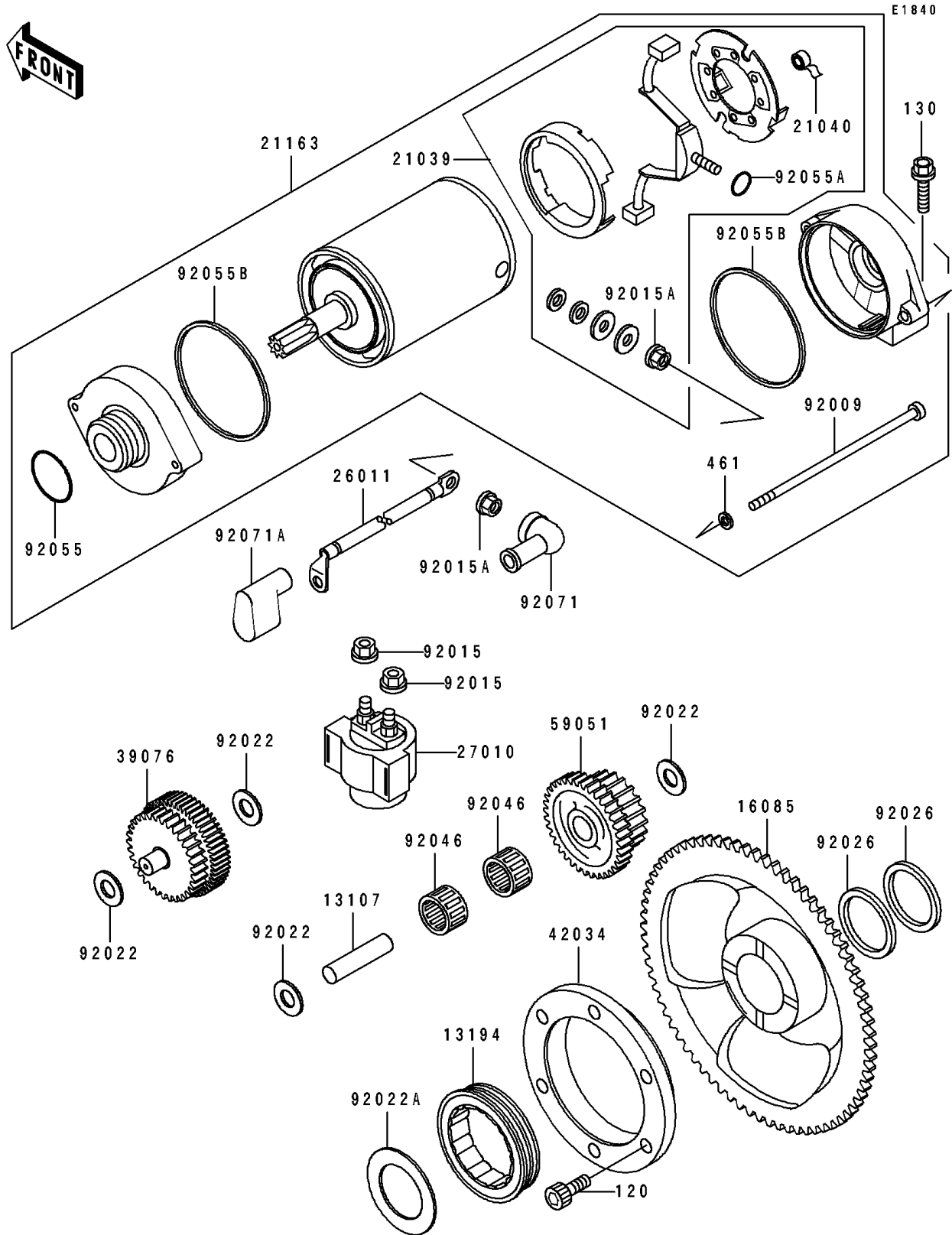


# 1990 Tengai PARTS DIAGRAM

Starter Motor



# 1990 Tengai PARTS LIST

## Starter Motor

ITEM NAME	PART NUMBER	QUANTITY
SHAFT,IDLER (Ref # 13107)	13107-1135	1
CLUTCH-ONEWAY (Ref # 13194)	13194-1073	1
GEAR,ONEWAY CLUTCH (Ref # 16085)	16085-1205	1
BRUSH,CARBON (Ref # 21039)	21039-1060	1
SPRING-BRUSH (Ref # 21040)	21040-1055	4
STARTER-ELECTRIC (Ref # 21163)	21163-1108	1
WIRE-LEAD,STARTER MOTOR (Ref # 26011)	26011-1397	1
SWITCH,STARTER (Ref # 27010)	27010-1075	1
LIMITER,STARTER IDLE GEAR (Ref # 39076)	39076-1056	1
COUPLING (Ref # 42034)	42034-1094	1
GEAR-SPUR,20T & 37T (Ref # 59051)	59051-1133	1
SCREW (Ref # 92009)	92009-1369	2
NUT,FLANGED,6MM (Ref # 92015)	92015-1193	2
NUT,STARTER MOTOR (Ref # 92015A)	92015-1476	2
WASHER,10.2X20X0.5 (Ref # 92022)	92022-1649	4
WASHER,32.2X50X1.0 (Ref # 92022A)	92022-1650	1
SPACER,32.15X39.7X2.8 (Ref # 92026)	92026-1295	2
BEARING-NEEDLE,K10X14X10 (Ref # 92046)	92046-1134	2
RING-O (Ref # 92055)	92055-1276	1
RING-O,4.5X2.0 (Ref # 92055A)	92055-1370	1
RING-O,STARTER MOTOR (Ref # 92055B)	92055-1381	2
GROMMET,STARTER TERMINAL (Ref # 92071)	21017-017	1
GROMMET,TERMINAL (Ref # 92071A)	92071-1130	1
BOLT-SOCKET (Ref # 120)	120P0818	6
BOLT-FLANGED,6X25 (Ref # 130)	130G0625	2
WASHER-SPRING,5MM (Ref # 461)	461F0500	2