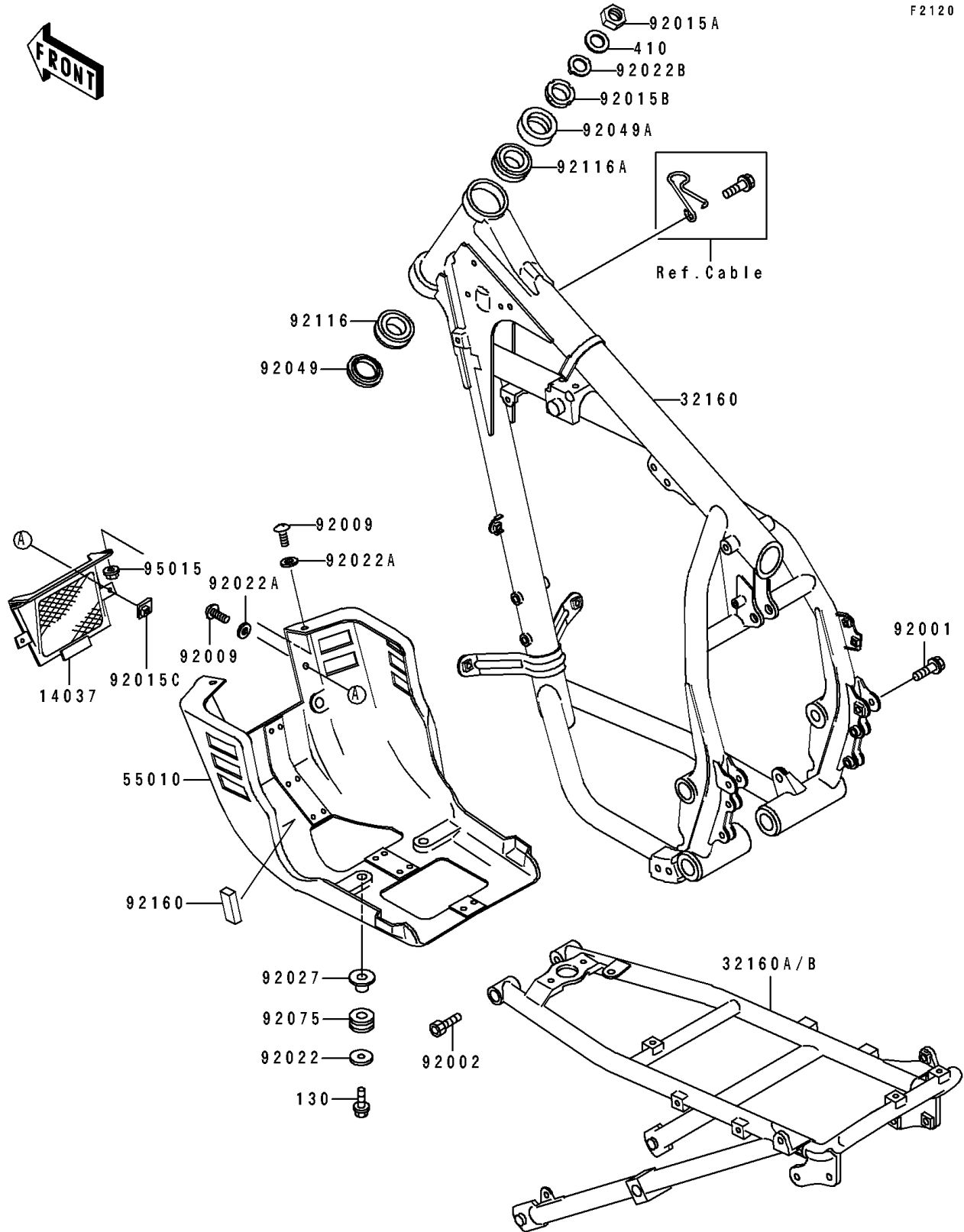


1991 Tengai PARTS DIAGRAM

Frame

F2120



1991 Tengai PARTS LIST

Frame

ITEM NAME	PART NUMBER	QUANTITY
SCREEN,ENGINE GUARD,BLACK (Ref # 14037)	14037-1117-6Z	1
FRAME-COMP,FR,GRAY (Ref # 32160)	32160-1028-EC	1
FRAME-COMP,RR,GRAY (Ref # 32160A)	32160-1029-EC	1
GUARD-ASSY,ENGINE,P.G.GRAY (Ref # 55010)	55010-1052-T8	1
BOLT,FLANGED,8X28,BLACK (Ref # 92001)	92001-1508	2
BOLT,SOCKET,8X25 (Ref # 92002)	92002-1442	2
SCREW,5X14,BLACK (Ref # 92009)	92009-1383	4
NUT,FLANGED,5MM (Ref # 92015)	92015-1328	2
NUT,18MM (Ref # 92015A)	92015-1404	1
NUT,25MM,T=12 (Ref # 92015B)	92015-1546	1
NUT,5MM (Ref # 92015C)	92015-1710	2
WASHER,7X24X1.6 (Ref # 92022)	92022-1160	2
WASHER,NYLON,5.3X11.5X1.5 (Ref # 92022A)	92022-1521	4
WASHER,CLAW,18.5X30X2.3 (Ref # 92022B)	92022-1555	1
COLLAR,L=13.1,BLACK (Ref # 92027)	92027-1450	4
SEAL-OIL,XMHE36X52X4J (Ref # 92049)	92049-1162	1
SEAL-OIL,STEERING STEM (Ref # 92049A)	92049-1214	1
DAMPER (Ref # 92075)	92075-1690	4
BEARING-ROLLER,HR320/28XJ (Ref # 92116)	92116-1009	1
BEARING-ROLLER,HICAP 32005JR (Ref # 92116A)	92116-1052	1
DAMPER (Ref # 92160)	92160-1183	1
BOLT-FLANGED,6X25 (Ref # 130)	130J0625	4
W-PLAIN-S (Ref # 410)	410F1800	1