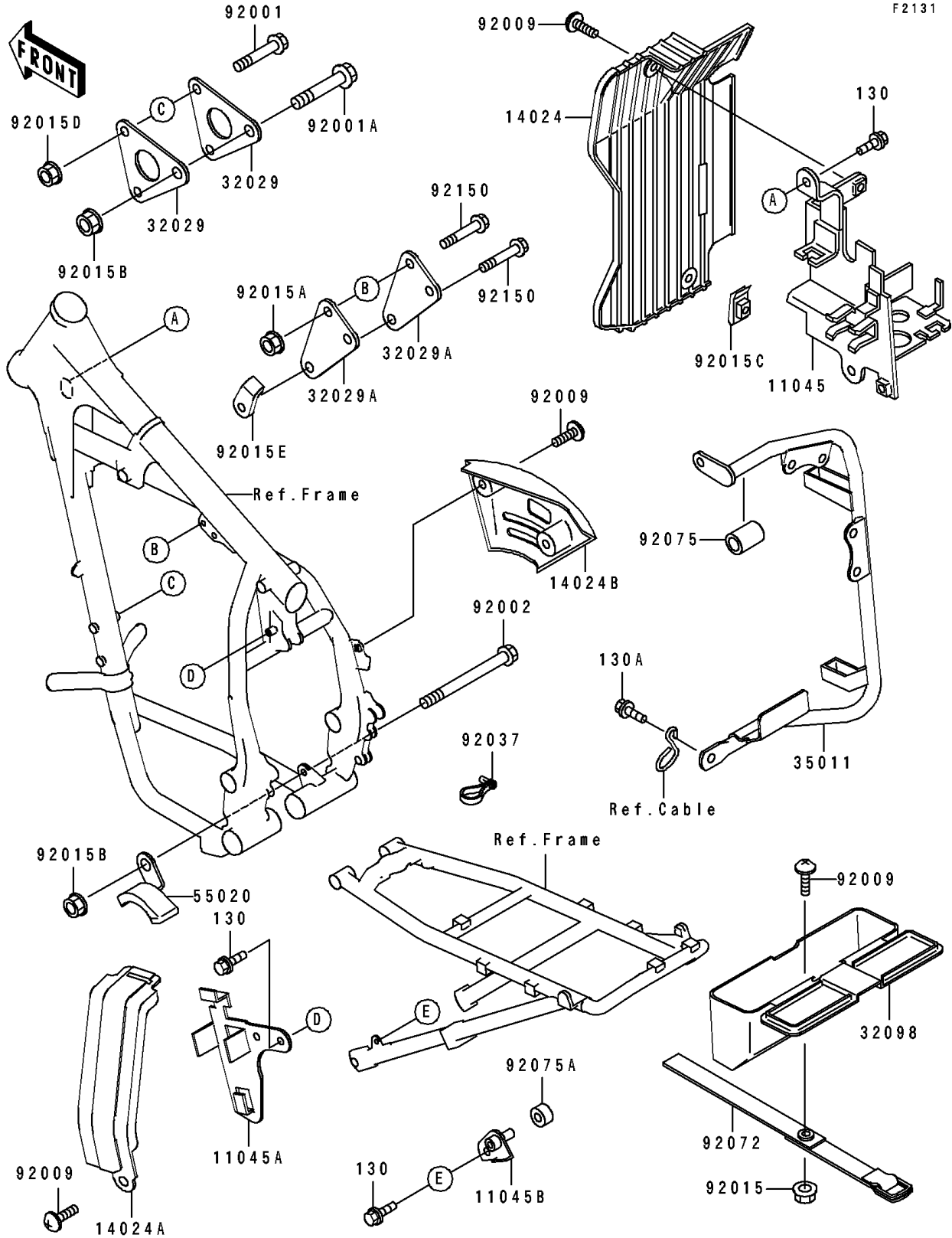


# 1990 Tengai PARTS DIAGRAM

Frame Fitting

F2131



# 1990 Tengai PARTS LIST

## Frame Fitting

| ITEM NAME                              | PART NUMBER   | QUANTITY |
|--|---------------|----------|
| BRACKET,ELECTRIC,RH (Ref # 11045)      | 11045-1358    | 1        |
| BRACKET,ELECTRIC,LH (Ref # 11045A)     | 11045-1359    | 1        |
| BRACKET (Ref # 11045B)                 | 11045-1360    | 1        |
| COVER,FRONT RESERVOIR (Ref # 14024)    | 14024-1372    | 1        |
| COVER,SIDE STAND SWITCH (Ref # 14024A) | 14024-1373    | 1        |
| COVER,RESERVOIR TANK (Ref # 14024B)    | 14024-1470    | 1        |
| BRACKET-ENGINE,FR (Ref # 32029)        | 32029-1516    | 2        |
| BRACKET-ENGINE,HEAD (Ref # 32029A)     | 32029-1685    | 2        |
| CASE-TOOL,P.WHITE (Ref # 32098)        | 32098-1074-6F | 1        |
| STAY,HORN&RESERVOIR TANK (Ref # 35011) | 35011-1475    | 1        |
| GUARD,CHAIN (Ref # 55020)              | 55020-1266    | 1        |
| BOLT,FLANGED,8X70 (Ref # 92001)        | 92001-1583    | 2        |
| BOLT,10X75 (Ref # 92001A)              | 92001-4021    | 1        |
| BOLT,10X145 (Ref # 92002)              | 92002-1348    | 1        |
| SCREW,6X14 (Ref # 92009)               | 92009-1288    | 8        |
| NUT,FLANGED,6MM,BLACK (Ref # 92015)    | 92015-1237    | 1        |
| NUT,8MM (Ref # 92015A)                 | 92015-1406    | 2        |
| NUT,FLANGED,10MM (Ref # 92015B)        | 92015-1415    | 2        |
| NUT,6MM (Ref # 92015C)                 | 92015-1602    | 1        |
| NUT,FLANGED,LOCK,8MM (Ref # 92015D)    | 92015-1668    | 2        |
| NUT,PLATE,8MM (Ref # 92015E)           | 92015-1673    | 1        |
| CLAMP (Ref # 92037)                    | 92037-1903    | 1        |
| BAND,TOOL CASE (Ref # 92072)           | 92072-1219    | 1        |
| DAMPER (Ref # 92075)                   | 92075-1941    | 1        |
| DAMPER (Ref # 92075A)                  | 92075-243     | 1        |
| BOLT,FLANGED,8X42 (Ref # 92150)        | 92150-1415    | 3        |
| BOLT-FLANGED,6X12 (Ref # 130)          | 130B0612      | 4        |
| BOLT-FLANGED,6X14,BLACK (Ref # 130A)   | 130J0614      | 2        |