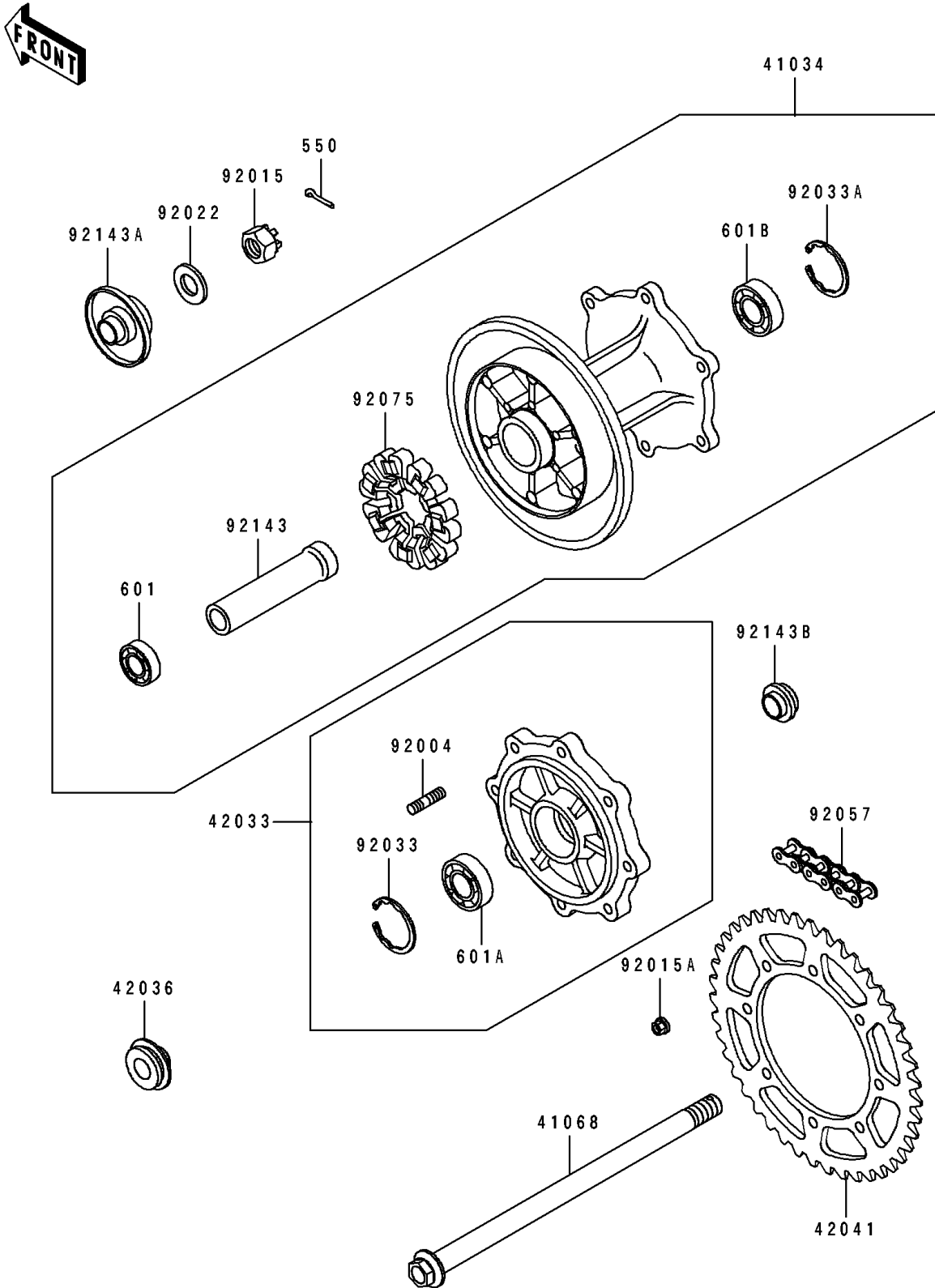


1990 Tengai PARTS DIAGRAM

Rear Hub

F2240



1990 Tengai PARTS LIST

Rear Hub

ITEM NAME	PART NUMBER	QUANTITY
DRUM-ASSY,REAR BRAKE (Ref # 41034)	41034-1154	1
AXLE,RR (Ref # 41068)	41068-1237	1
COUPLING-ASSY,REAR HUB (Ref # 42033)	42033-1112	1
SLEEVE,REAR AXLE,L=16 (Ref # 42036)	42036-1206	1
SPROCKET-HUB,43T (Ref # 42041)	42041-1260	1
STUD,8X16 (Ref # 92004)	92004-1150	8
NUT,CASTLE,16MM (Ref # 92015)	42045-014	1
NUT,FLANGED,LOCK,8MM (Ref # 92015A)	92015-1668	8
WASHER,17.3X32X3.2 (Ref # 92022)	42046-009	1
RING-SNAP,42MM (Ref # 92033)	92033-1041	1
RING-SNAP,47MM (Ref # 92033A)	92033-1042	1
CHAIN,DRIVE,DID520V-2X106L (Ref # 92057)	92057-1253	1
DAMPER,SHOCK,RR HUB (Ref # 92075)	92075-1068	1
COLLAR,REAR BRAKE DRUM,L=113 (Ref # 92143)	92143-1060	1
COLLAR,REAR AXLE,L=30 (Ref # 92143A)	92143-1061	1
COLLAR,REAR AXLE,L=17 (Ref # 92143B)	92143-1062	1
PIN-COTTER,4.0X35 (Ref # 550)	550D4035	1
BEARING-BALL,#6003G (Ref # 601)	601B6003G	1
BEARING-BALL,#6004UG (Ref # 601A)	601B6004UG	1
BEARING-BALL,#6204UG (Ref # 601B)	601B6204UG	1