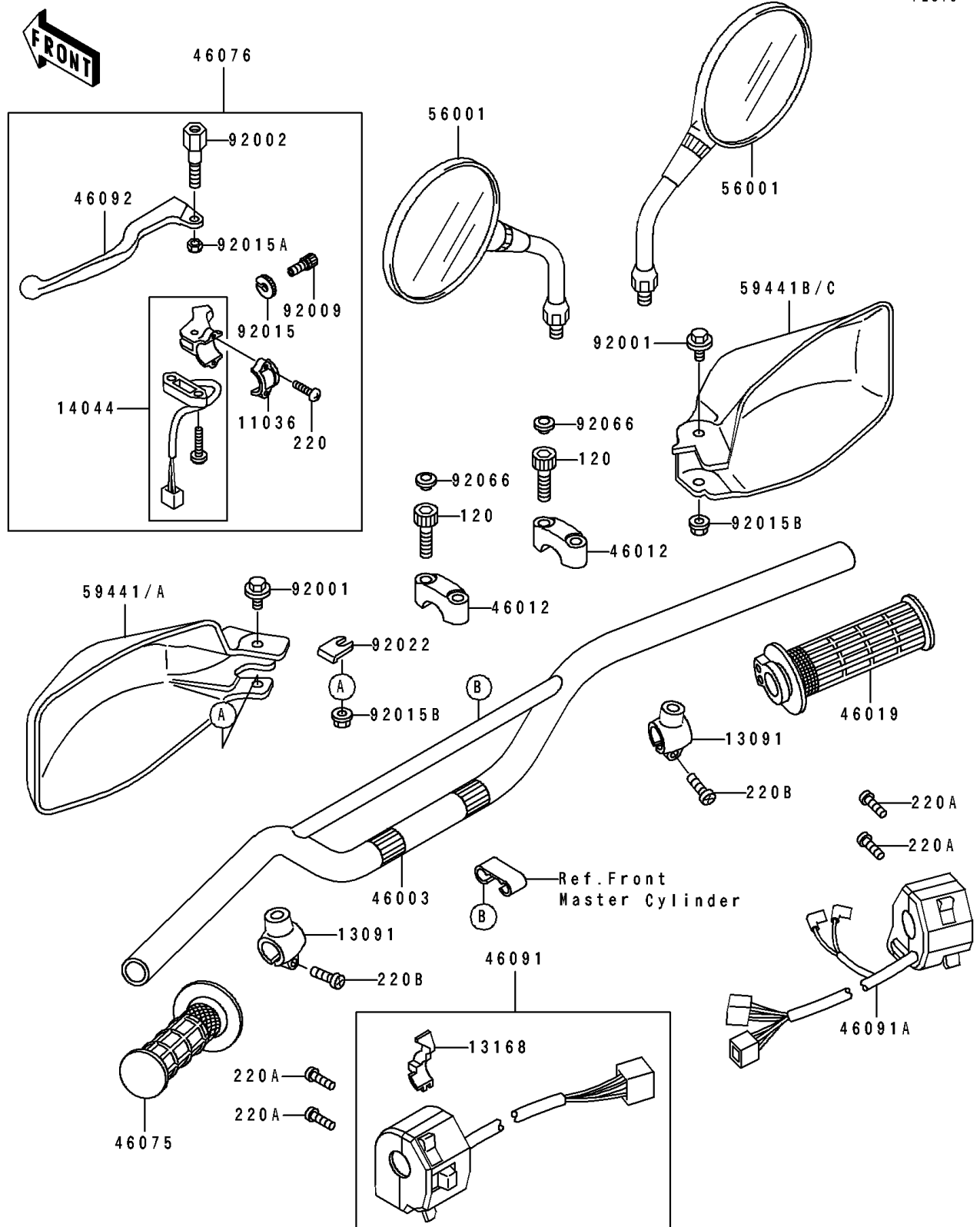


1991 Tengai PARTS DIAGRAM

Handlebar

F2310



1991 Tengai PARTS LIST

Handlebar

ITEM NAME	PART NUMBER	QUANTITY
BRACKET-A,LEVER HOLDER (Ref # 11036)	11036-1297	1
HOLDER,ENGINE STOP SWITCH (Ref # 13091)	13091-1255	2
LEVER,CHOKE (Ref # 13168)	13168-1374	1
HOLDER-CABLE,CLUTCH (Ref # 14044)	14044-1063	1
HANDLE (Ref # 46003)	46003-1295	1
HOLDER-HANDLE (Ref # 46012)	46012-1102	2
GRIP-ASSY,THROTTLE (Ref # 46019)	46019-1058	1
GRIP,LH (Ref # 46075)	46075-1022	1
LEVER-ASSY-GRIP,CLUTCH (Ref # 46076)	46076-1160	1
HOUSING-ASSY-CONTROL,LH (Ref # 46091)	46091-1523	1
HOUSING-ASSY-CONTROL,RH (Ref # 46091A)	46091-1524	1
LEVER-GRIP,CLUTCH (Ref # 46092)	46092-1111	1
MIRROR-ASSY (Ref # 56001)	56001-1285	2
COVER-HANDLE,LH,BLUE 24 (Ref # 59441)	59441-1092-BV	1
COVER-HANDLE,RH,BLUE 24 (Ref # 59441B)	59441-1093-BV	1
BOLT,FLANGED,6X10 (Ref # 92001)	92001-1034	2
BOLT,LEVER SET (Ref # 92002)	92002-1880	1
SCREW,CABLE ADJUST,8MM (Ref # 92009)	46055-009	1
NUT,CABLE ADJUST (Ref # 92015)	46056-006	1
NUT,LOCK,6MM,BLACK (Ref # 92015A)	92015-1191	1
NUT,LOCK,6MM (Ref # 92015B)	92015-1603	2
WASHER (Ref # 92022)	92022-1896	1
PLUG (Ref # 92066)	92066-1216	4
BOLT-SOCKET,8X30,BLACK (Ref # 120)	120S0830	4
SCREW-PAN-CROS (Ref # 220)	220C0514	2
SCREW-PAN-CROS (Ref # 220A)	220C0520	4
SCREW-PAN-CROS,6X20,BLACK (Ref # 220B)	220C0620	2