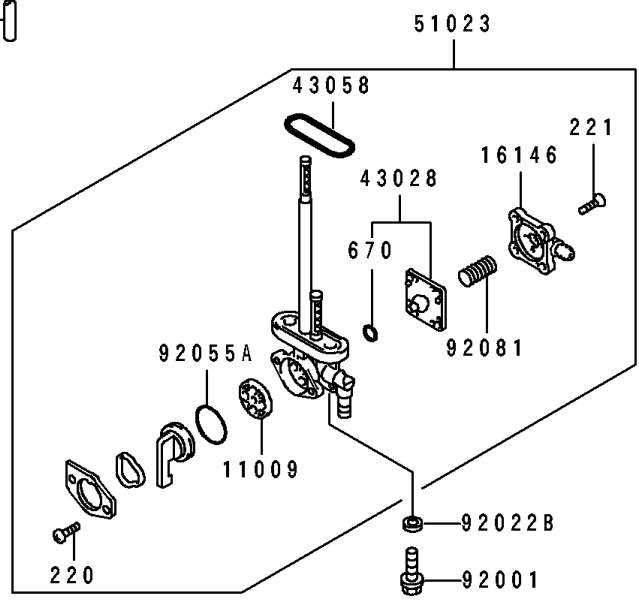
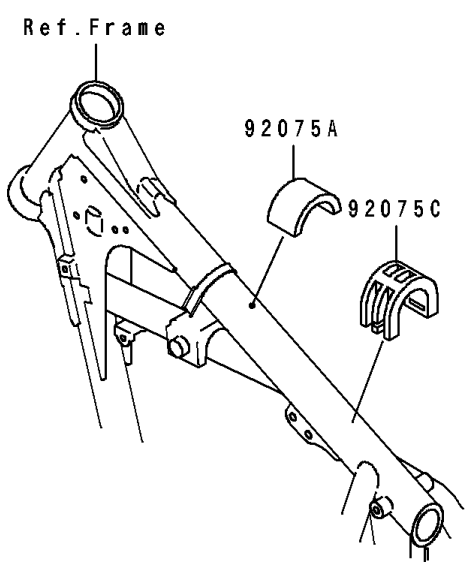
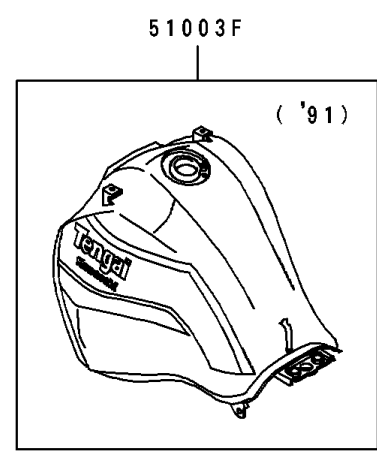
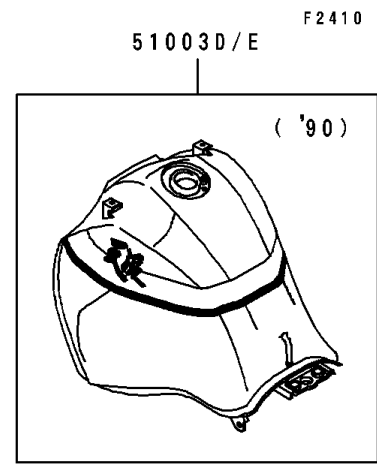
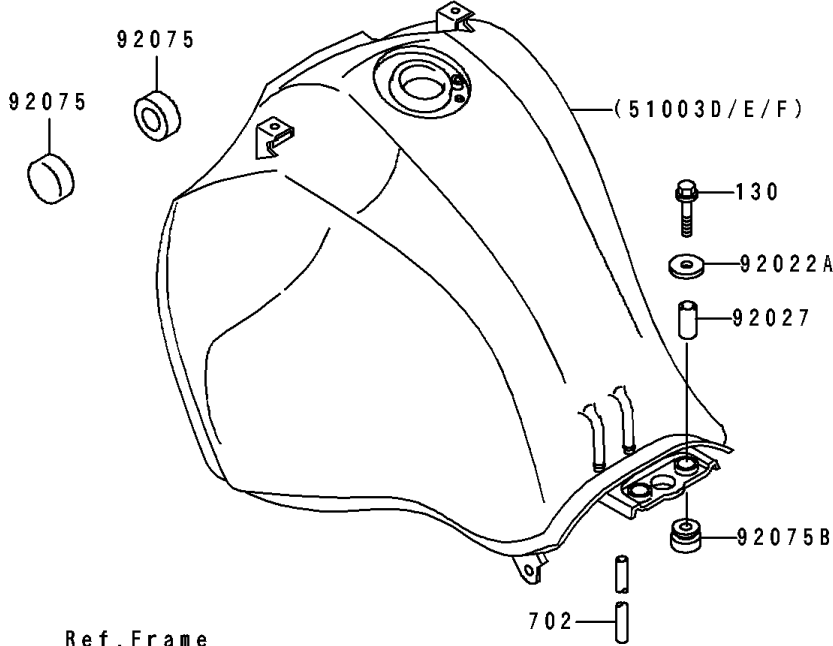
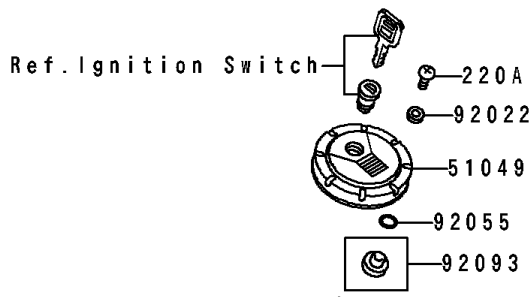


# 1991 Tengai PARTS DIAGRAM

Fuel Tank



# 1991 Tengai PARTS LIST

## Fuel Tank

ITEM NAME	PART NUMBER	QUANTITY
GASKET,TAP VALVE (Ref # 11009)	11009-1188	1
COVER-ASSY,TAP DIAPHRAGM (Ref # 16146)	16146-1010	1
DIAPHRAGM (Ref # 43028)	43028-1033	1
RING,TAP FLANGED (Ref # 43058)	51039-003	1
TANK-COMP-FUEL,BLUE/WHITE (Ref # 51003F)	51003-5122-GL	1
TAP-ASSY,FUEL (Ref # 51023)	51023-1148	1
CAP-TANK,FUEL (Ref # 51049)	51049-1077	1
BOLT,6X20 (Ref # 92001)	92001-1091	2
WASHER,5.3X10X0.8 (Ref # 92022)	92022-1038	2
WASHER,6.5X20X1.6 (Ref # 92022A)	92022-125	2
WASHER,6.2X11X1.5 (Ref # 92022B)	92022-183	2
COLLAR,6.8X10X20 (Ref # 92027)	92027-1856	2
RING-O (Ref # 92055)	92055-1023	2
RING-O,TAP LEVER (Ref # 92055A)	92055-1085	1
DAMPER,FUEL TANK (Ref # 92075)	92075-101	2
DAMPER (Ref # 92075A)	92075-1507	1
DAMPER (Ref # 92075B)	92075-1660	2
DAMPER,FUEL TANK (Ref # 92075C)	92075-1862	1
SPRING,TAP DIAPHRAGM (Ref # 92081)	92081-1240	1
BOLT-FLANGED (Ref # 130)	130C0630	2
SCREW-PAN-CROS (Ref # 220)	220B0308	2
SCREW-PAN-CROS (Ref # 220A)	220D0510	2
SCREW-CSK-CROS,4X14 (Ref # 221)	221B0414	4
O RING,4MM (Ref # 670)	670B1504	1
TUBE-RUBBER,5X8X620 (Ref # 702)	702A05620	1