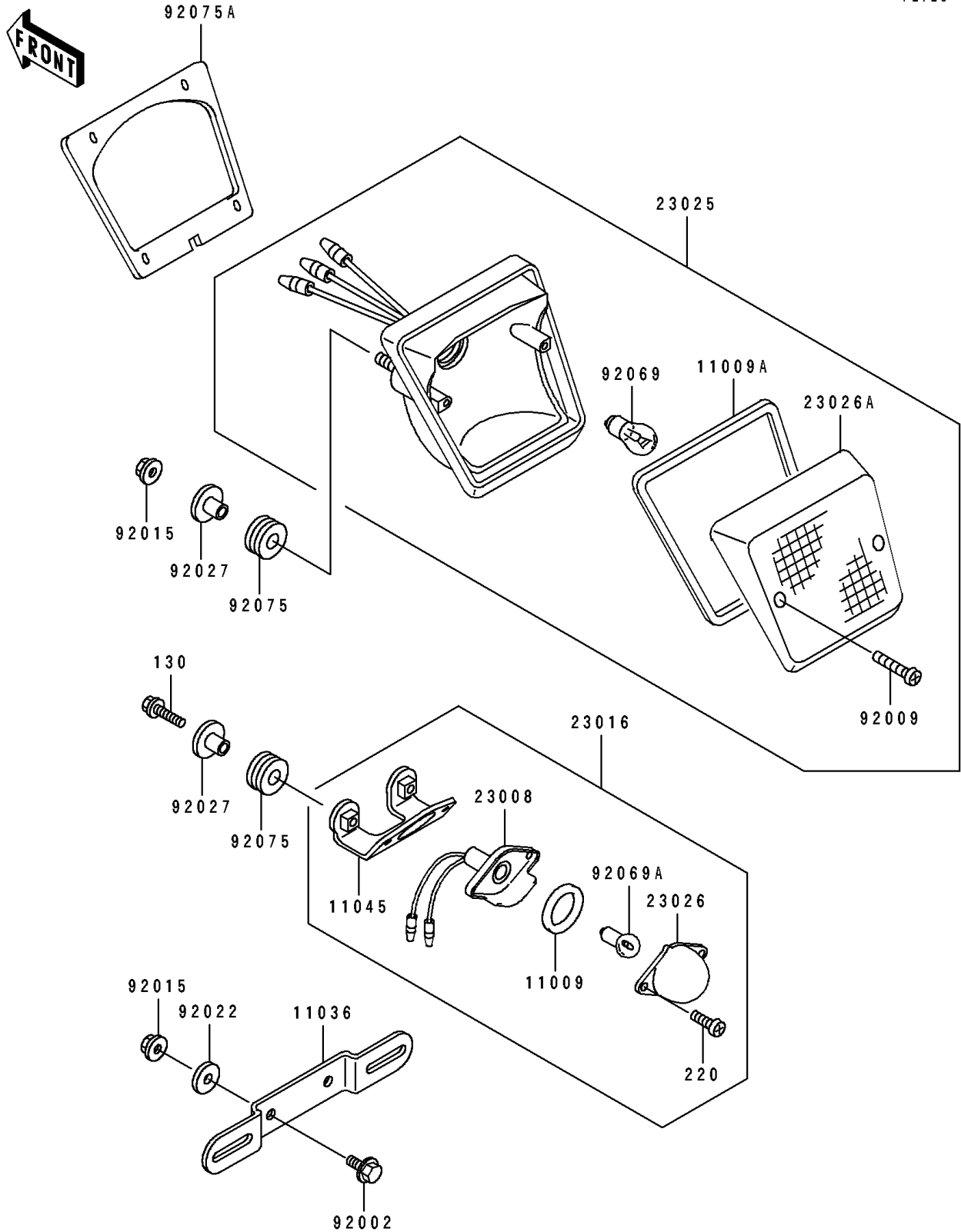


1990 Tengai PARTS DIAGRAM

Tail Lamp

F2720



1990 Tengai PARTS LIST

Tail Lamp

| ITEM NAME | PART NUMBER | QUANTITY |
|--|---------------|----------|
| GASKET,LICENSE PLATE LAMP (Ref # 11009) | 11009-1372 | 1 |
| GASKET,TAIL LAMP LENS (Ref # 11009A) | 11009-1636 | 1 |
| BRACKET-A,LICENSE PLATE (Ref # 11036) | 11036-1040 | 1 |
| BRACKET,LICENSE PLATE LAMP (Ref # 11045) | 11045-1927 | 1 |
| SOCKET-ASSY,LICENSE PLATE LAMP (Ref # 23008) | 23008-1205 | 1 |
| LAMP-ASSY,LICENSE PLATE (Ref # 23016) | 23016-1086 | 1 |
| LAMP-TAIL,P.WHITE (Ref # 23025) | 23025-1159-6F | 1 |
| LENS,LAMP (Ref # 23026) | 23026-1054 | 1 |
| LENS,TAIL LAMP (Ref # 23026A) | 23026-1086 | 1 |
| BOLT,6X16 (Ref # 92002) | 92002-1124 | 2 |
| SCREW,TAPPING,4X25 (Ref # 92009) | 92009-1069 | 2 |
| NUT,FLANGED,6MM (Ref # 92015) | 92015-1367 | 4 |
| WASHER,6.5X20X1.6 (Ref # 92022) | 92022-1557 | 2 |
| COLLAR,L=13.1 (Ref # 92027) | 92027-251 | 4 |
| BULB,12V 27/8W (Ref # 92069) | 92069-059 | 1 |
| BULB,12V 8W (Ref # 92069A) | 92069-1012 | 1 |
| DAMPER (Ref # 92075) | 92075-1690 | 4 |
| DAMPER,TAIL LAMP (Ref # 92075A) | 92075-1889 | 1 |
| BOLT-FLANGED,6X25 (Ref # 130) | 130H0625 | 2 |
| SCREW-PAN-CROS (Ref # 220) | 220B0410 | 2 |