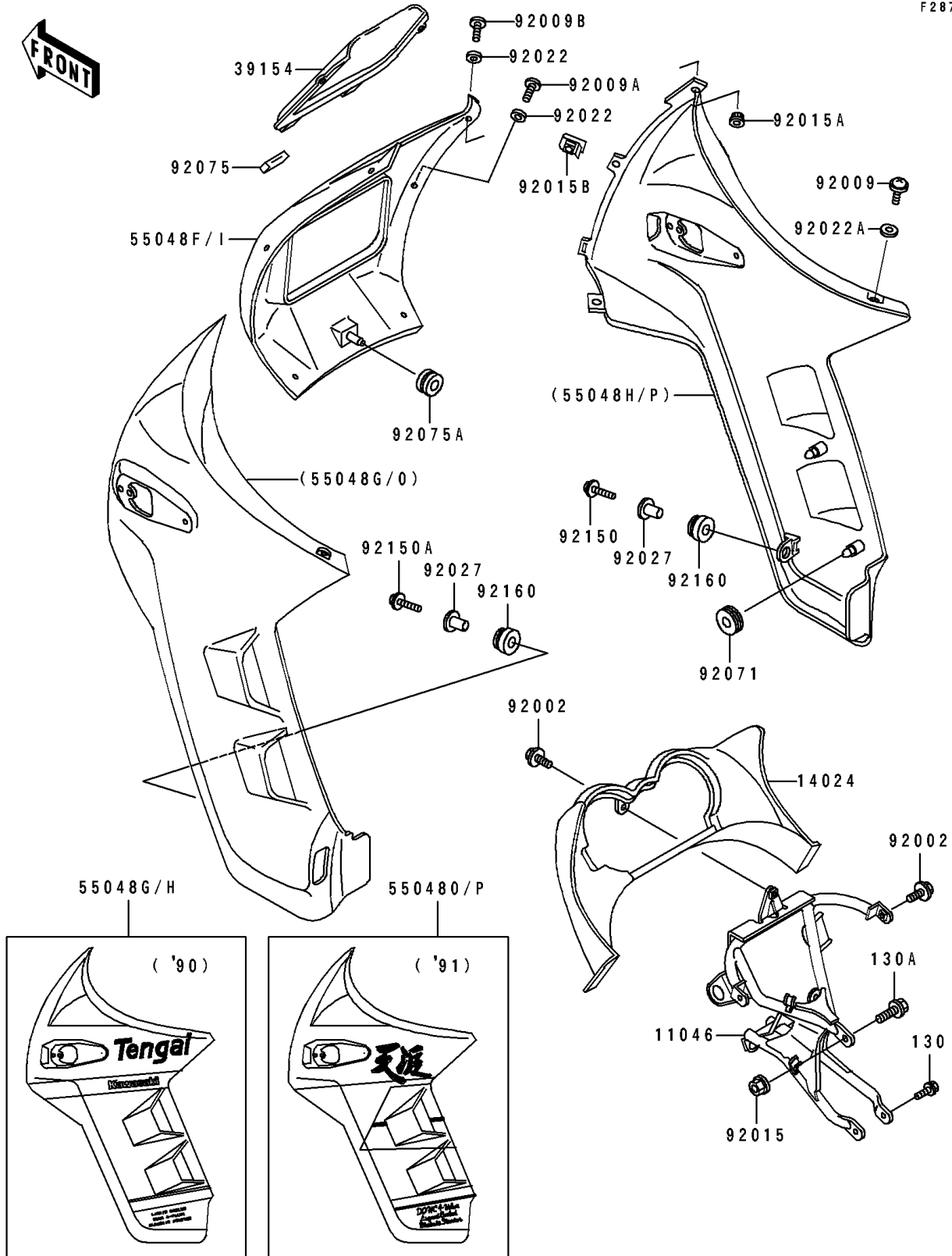


1990 Tengai PARTS DIAGRAM

Cowling

F2871



1990 Tengai PARTS LIST

Cowling

ITEM NAME	PART NUMBER	QUANTITY
BRACKET,COWLING (Ref # 11046)	11046-1503	1
COVER,INNER (Ref # 14024)	14024-1757	1
WINDSHIELD (Ref # 39154)	39154-1086	1
COWLING.,UPP,B.BLUE (Ref # 55048F)	55048-5348-C9	1
COWLING.,SIDE,LH,BLUE/WHITE (Ref # 55048G)	55048-5349-FY	1
COWLING.,SIDE,RH,BLUE/WHITE (Ref # 55048H)	55048-5350-FY	1
BOLT,5X12 (Ref # 92002)	92002-1749	3
SCREW,6X14,WHITE (Ref # 92009)	92009-1287	2
SCREW,5X16,BLACK (Ref # 92009A)	92009-1301	4
SCREW,5X14,BLACK (Ref # 92009B)	92009-1383	2
NUT,FLANGED,8MM,BLACK (Ref # 92015)	92015-1183	1
NUT,COWLING,5MM (Ref # 92015A)	92015-1352	2
NUT,5MM (Ref # 92015B)	92015-1710	4
WASHER,NYLON,5.3X11.5X1.5 (Ref # 92022)	92022-1521	6
WASHER,6.5X16X1.0 (Ref # 92022A)	92022-1654	2
COLLAR (Ref # 92027)	92027-1183	2
GROMMET (Ref # 92071)	92071-056	4
DAMPER,CARBURETOR (Ref # 92075)	92075-1423	2
DAMPER (Ref # 92075A)	92075-1901	1
BOLT,FLANGED,6X30 (Ref # 92150)	92150-1486	1
BOLT,FLANGED,6X25 (Ref # 92150A)	92150-1507	1
DAMPER (Ref # 92160)	92160-1164	2
BOLT-FLANGED,6X14,BLACK (Ref # 130)	130J0614	2
BOLT-FLANGED,8X16,BLACK (Ref # 130A)	130J0816	1