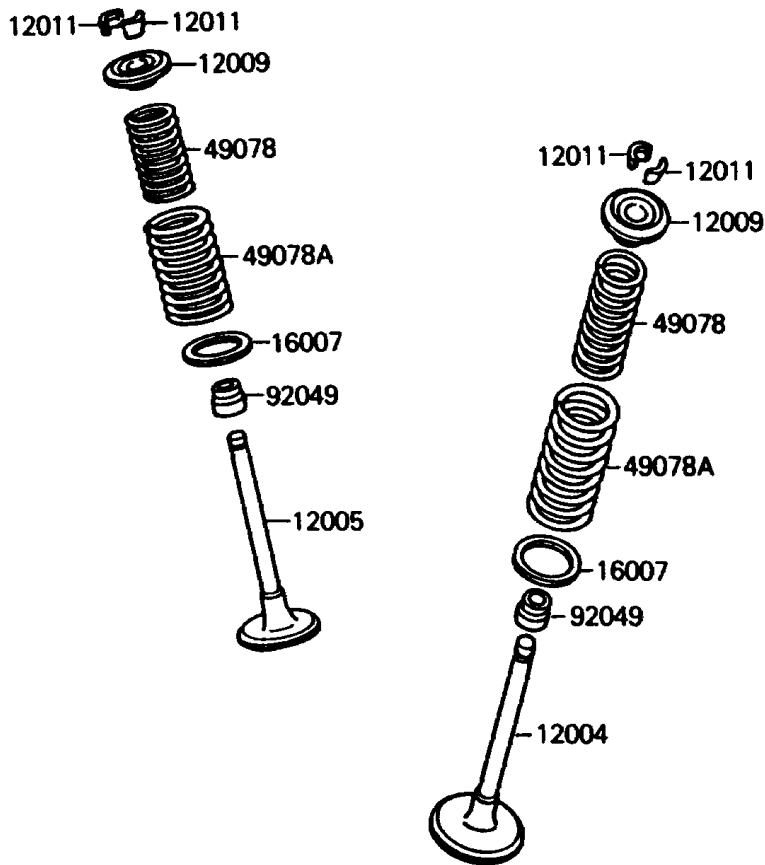
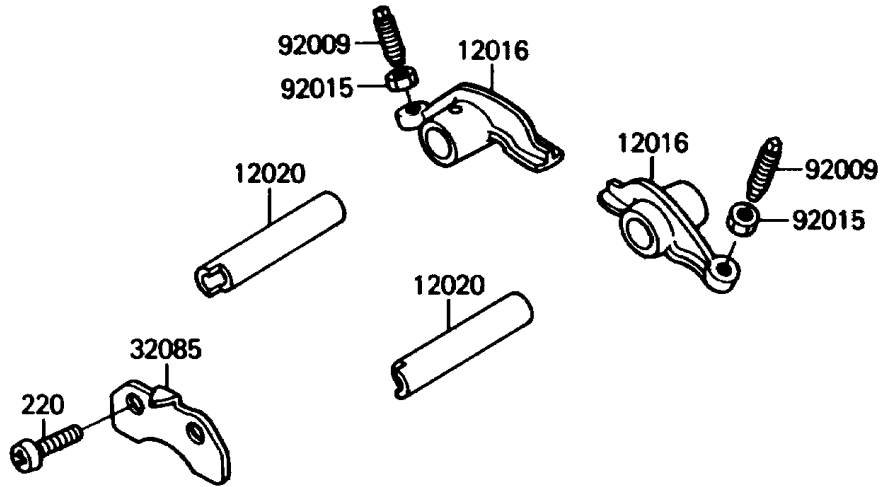


1988 Mojave 110E PARTS DIAGRAM

Valve(s)

E1210-0023



1988 Mojave 110E PARTS LIST

Valve(s)

ITEM NAME	PART NUMBER	QUANTITY
VALVE-INTAKE (Ref # 12004)	12004-1060	1
VALVE-EXHAUST (Ref # 12005)	12005-1056	1
RETAINER-VALVE SPRING (Ref # 12009)	12009-1052	2
COLLET,SPLIT KEEPER (Ref # 12011)	12011-1002	4
ARM-ROCKER (Ref # 12016)	12016-1003	2
SHAFT-ROCKER (Ref # 12020)	12020-1009	2
SEAT-SPRING (Ref # 16007)	16007-1109	2
STOPPER,ROCKER SHAFT (Ref # 32085)	32085-1129	1
SPRING-ENGINE VALVE,INNER (Ref # 49078)	49078-1053	2
SPRING-ENGINE VALVE,OUTER (Ref # 49078A)	49078-1054	2
SCREW,VALVE ADJUST (Ref # 92009)	92009-1109	2
NUT,VALVE ADJUST LOCK (Ref # 92015)	92015-1137	2
SEAL-OIL,RVC2-5.5X8.5X8.3 (Ref # 92049)	92049-1062	2
SCREW-PAN-CROS,6X14 (Ref # 220)	220B0614	2