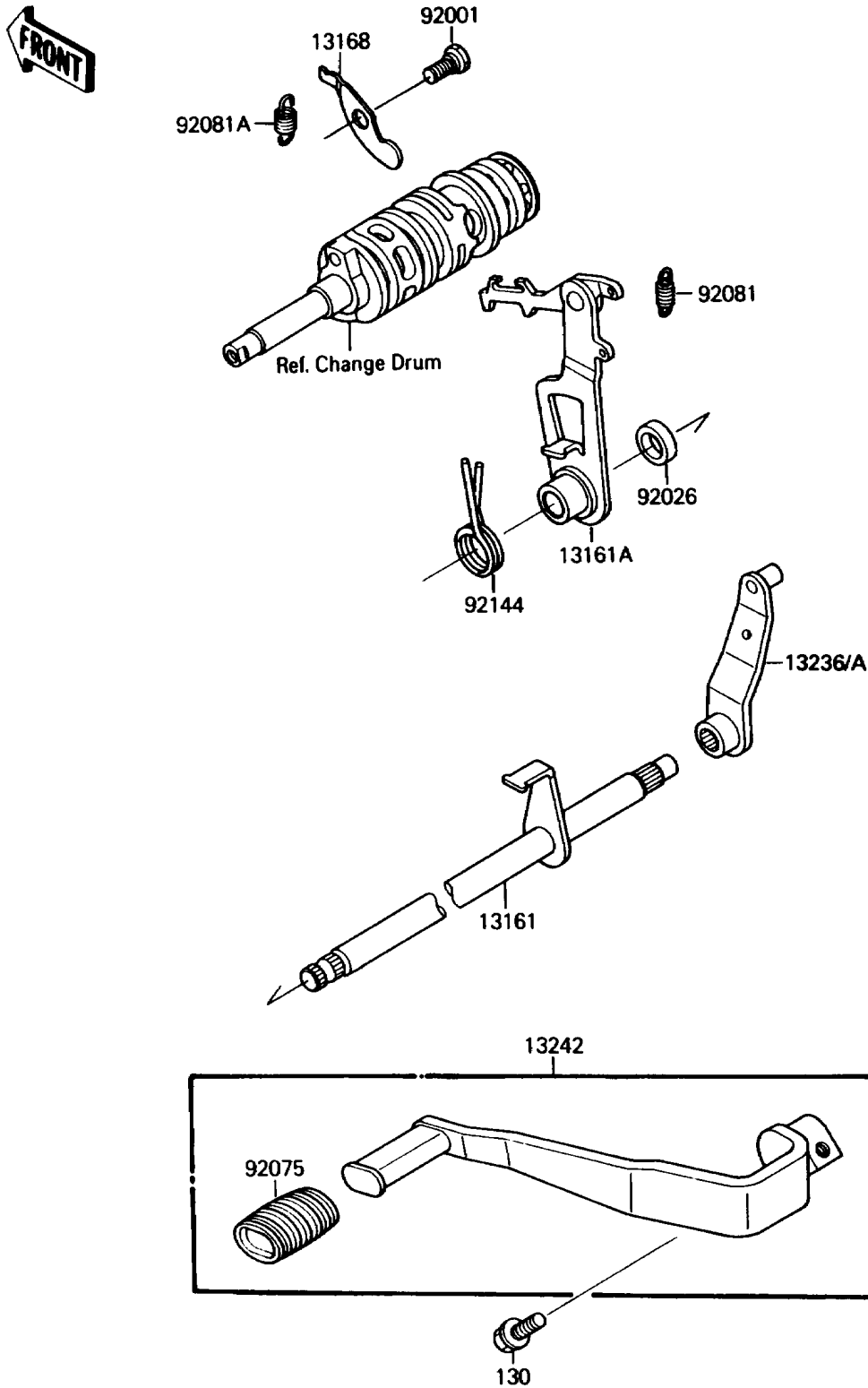


1988 Mojave 110E PARTS DIAGRAM

Gear Change Mechanism

E1370-0174



1988 Mojave 110E PARTS LIST

Gear Change Mechanism

ITEM NAME	PART NUMBER	QUANTITY
LEVER-COMP-CHANGE SHAFT (Ref # 13161)	13161-1044	1
LEVER-COMP-CHANGE SHAFT (Ref # 13161A)	13161-1051	1
LEVER,CHANGE DRUM (Ref # 13168)	13168-1138	1
LEVER-COMP,CHANGE (Ref # 13236A)	13236-1167	1
LEVER-ASSY-CHANGE,PEDAL (Ref # 13242)	13242-1225	1
BOLT,CHANGE DRUM LEVER (Ref # 92001)	92001-012	1
SPACER,13.2X19X5.5 (Ref # 92026)	92026-1144	1
DAMPER,CHANGE PEDAL (Ref # 92075)	92075-1585	1
SPRING,CHANGE LEVER (Ref # 92081)	92081-076	1
SPRING,DRUM LEVER SET (Ref # 92081A)	92081-1474	1
SPRING,CHANGE SHAFT RETURN (Ref # 92144)	92144-1095	1
BOLT-FLANGED,6X20,BLACK (Ref # 130)	130S0620	1