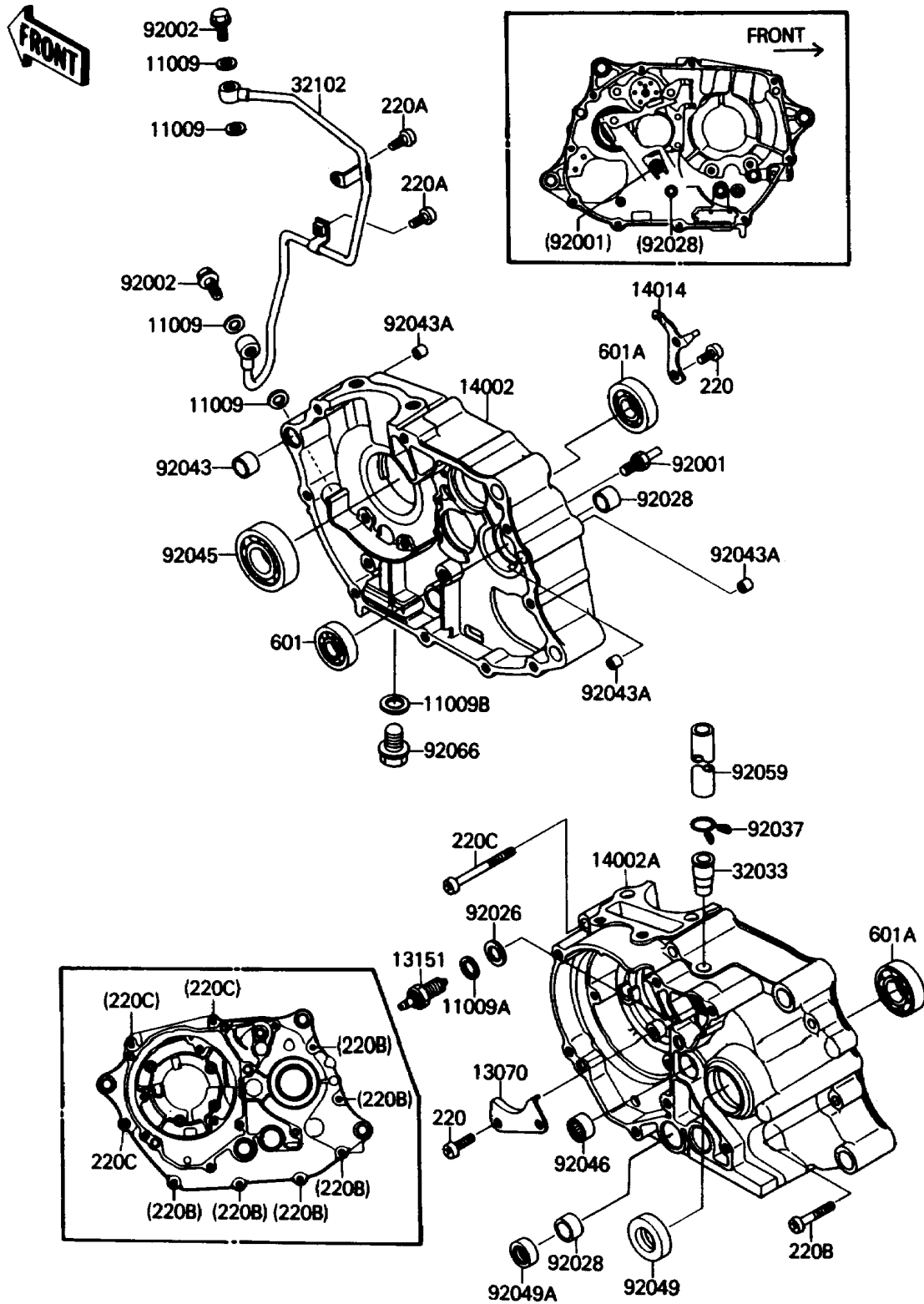


1988 Mojave 110E PARTS DIAGRAM

Crankcase

E1411-0165



1988 Mojave 110E PARTS LIST

Crankcase

ITEM NAME	PART NUMBER	QUANTITY
GASKET,OIL PIPE,8.2X14X1.0 (Ref # 11009)	11009-1344	4
GASKET,10.5X16X1,DRAIN PLUG (Ref # 11009A)	92065-058	1
GASKET,12X22X2,DRAIN PLUG (Ref # 11009B)	92065-097	1
GUIDE,CAM CHAIN (Ref # 13070)	13070-1046	1
SWITCH-COMP,NEUTRAL (Ref # 13151)	13151-1008	1
CRANKCASE,RH (Ref # 14002)	14002-1413	1
CRANKCASE,LH (Ref # 14002A)	14002-1414	1
PLATE-POSITION (Ref # 14014)	14014-1031	1
PIPE,BREATHING (Ref # 32033)	32033-1518	1
PIPE,OIL (Ref # 32102)	32102-1231	1
BOLT,RETURN SPRING (Ref # 92001)	92001-1401	1
BOLT,BANJO,8X22 (Ref # 92002)	92002-1871	2
SPACER,10X18X0.5 (Ref # 92026)	92026-1002	AR
BUSHING (Ref # 92028)	92028-1347	2
CLAMP,BREATHING TUBE (Ref # 92037)	92037-192	1
PIN,DOWEL,14X14 (Ref # 92043)	92042-032	1
PIN,6.2X8X14 (Ref # 92043A)	92043-1263	3
BEARING-BALL,#6304 (Ref # 92045)	92045-1107	1
BEARING-NEEDLE,BK1312 NTN (Ref # 92046)	92046-1034	1
SEAL-OIL,SC22325 (Ref # 92049)	92049-1048	1
SEAL-OIL,TB13225.5 (Ref # 92049A)	92051-005	1
TUBE,BREATHING (Ref # 92059)	92059-1709	1
PLUG,OIL DRAIN,12X15 (Ref # 92066)	92066-1174	1
SCREW-PAN-CROS,6X14 (Ref # 220)	220B0614	4
SCREW-PAN-CROS (Ref # 220A)	220X0612	2
SCREW-PAN-CROS (Ref # 220B)	220X0635	6
SCREW-PAN-CROS (Ref # 220C)	220X0675	3
BEARING-BALL (Ref # 601)	601A6201	1
BEARING-BALL,#6203 (Ref # 601A)	601A6203	2