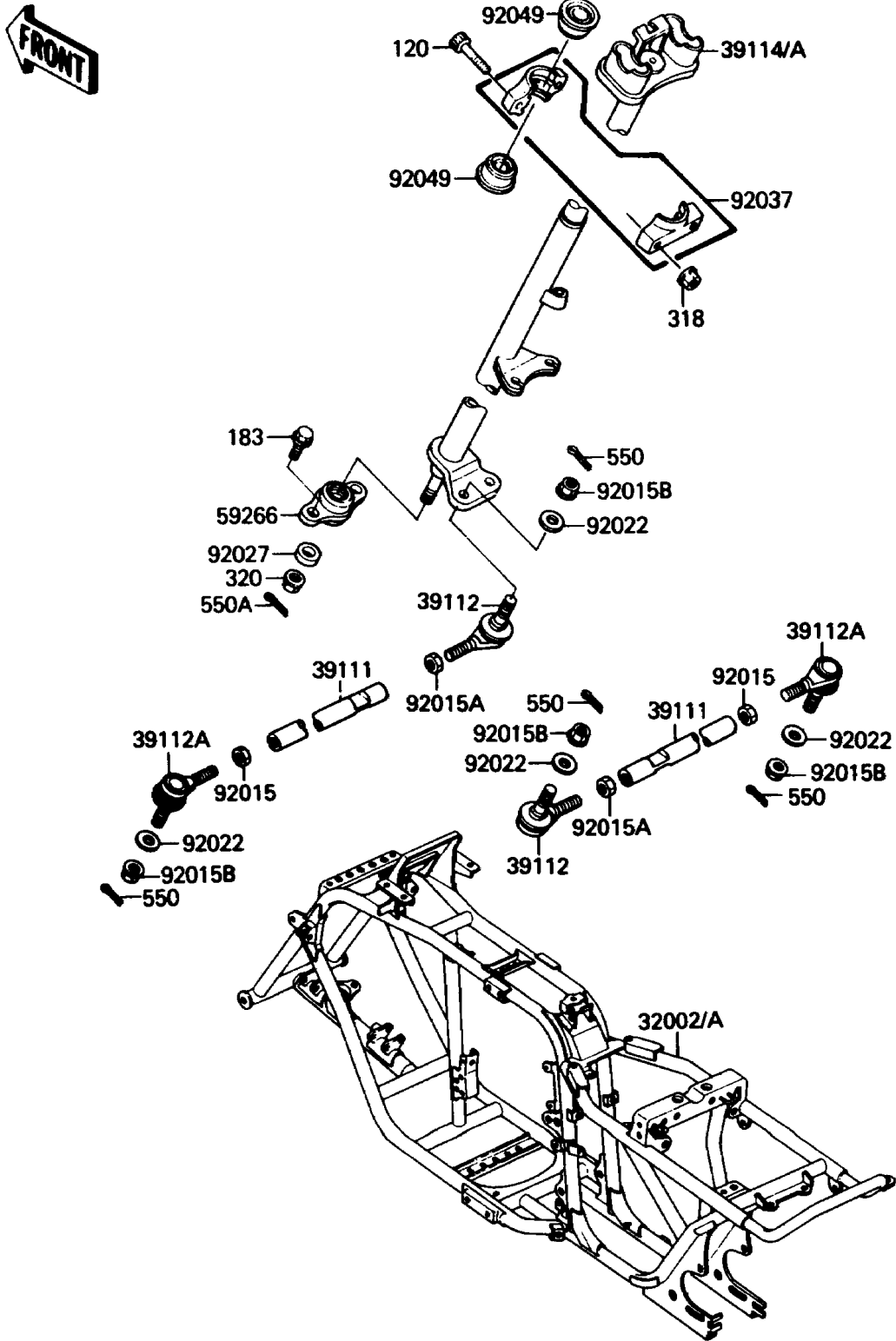


1988 Mojave 110E PARTS DIAGRAM

Frame

F2120-0303



1988 Mojave 110E PARTS LIST

Frame

ITEM NAME	PART NUMBER	QUANTITY
FRAME-COMP (Ref # 32002A)	32002-1974	1
ROD-TIE (Ref # 39111)	39111-1070	2
RODEND-TIE (Ref # 39112)	39112-1058	2
RODEND-TIE (Ref # 39112A)	39112-1059	2
SHAFT-COMP-STRG (Ref # 39114A)	39114-1061	1
JOINT-BALL (Ref # 59266)	59266-1067	1
NUT,LOCK,10MM (Ref # 92015)	92015-1460	2
NUT,LOCK,10MM (Ref # 92015A)	92015-1494	2
NUT,FLANGED,10MM (Ref # 92015B)	92015-1502	4
WASHER,10.5X20X1 (Ref # 92022)	92022-239	4
COLLAR,10X21.3X7 (Ref # 92027)	92027-1817	1
CLAMP,STEERING SHAFT (Ref # 92037)	92037-1839	1
SEAL-OIL,SR7 25 34 7.8 NS (Ref # 92049)	92049-1278	2
BOLT-SOCKET,8X50 (Ref # 120)	120P0850	2
BOLT-UPSET-WS-SMALL (Ref # 183)	183G0822	2
NUT-HEX-SMALL,8MM (Ref # 318)	318B0800	2
NUT-CASTLE (Ref # 320)	320H1000	1
PIN-COTTER,2.0X15 (Ref # 550)	550D2015	4
PIN-COTTER,2.5X18 (Ref # 550A)	550D2518	1