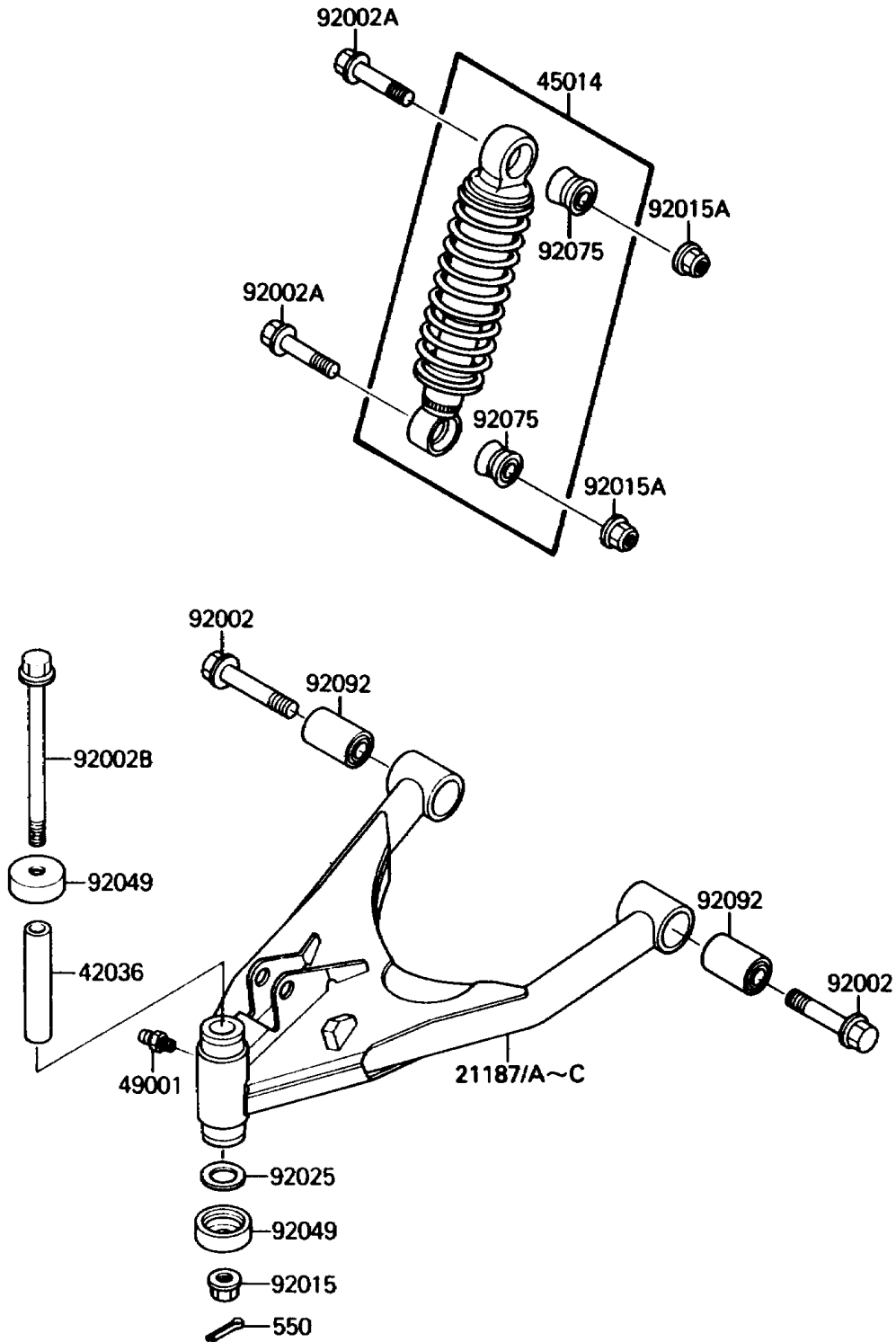


1988 Mojave 110E PARTS DIAGRAM

Suspension/Shock Absorber

F2151-0013



1988 Mojave 110E PARTS LIST

Suspension/Shock Absorber

ITEM NAME	PART NUMBER	QUANTITY
ARM-ASSY,SUSPENSION,LH (Ref # 21187B)	21187-1069	1
ARM-ASSY,SUSPENSION,RH (Ref # 21187C)	21187-1070	1
SLEEVE,10X17X85.6 (Ref # 42036)	42036-1190	2
SHOCKABSORBER (Ref # 45014)	45014-1348	2
NIPPLE-GREASE (Ref # 49001)	49001-1051	2
BOLT,FLANGED,12X60 (Ref # 92002)	92002-1456	4
BOLT,FLANGED,10X42 (Ref # 92002A)	92002-1545	4
BOLT,FLANGED,10X130 (Ref # 92002B)	92002-1776	2
NUT,FLANGED,10MM (Ref # 92015)	92015-1335	2
NUT,LOCK,10MM (Ref # 92015A)	92015-1597	4
SHIM,18X28.5X0.3 (Ref # 92025)	92025-1678	2
SEAL-OIL,KNUCKLE (Ref # 92049)	92049-1198	4
DAMPER,SHOCKABSORBER (Ref # 92075)	92075-1897	4
BUSHING-RUBBER (Ref # 92092)	92092-005	4
PIN-COTTER,2.0X15 (Ref # 550)	550D2015	2