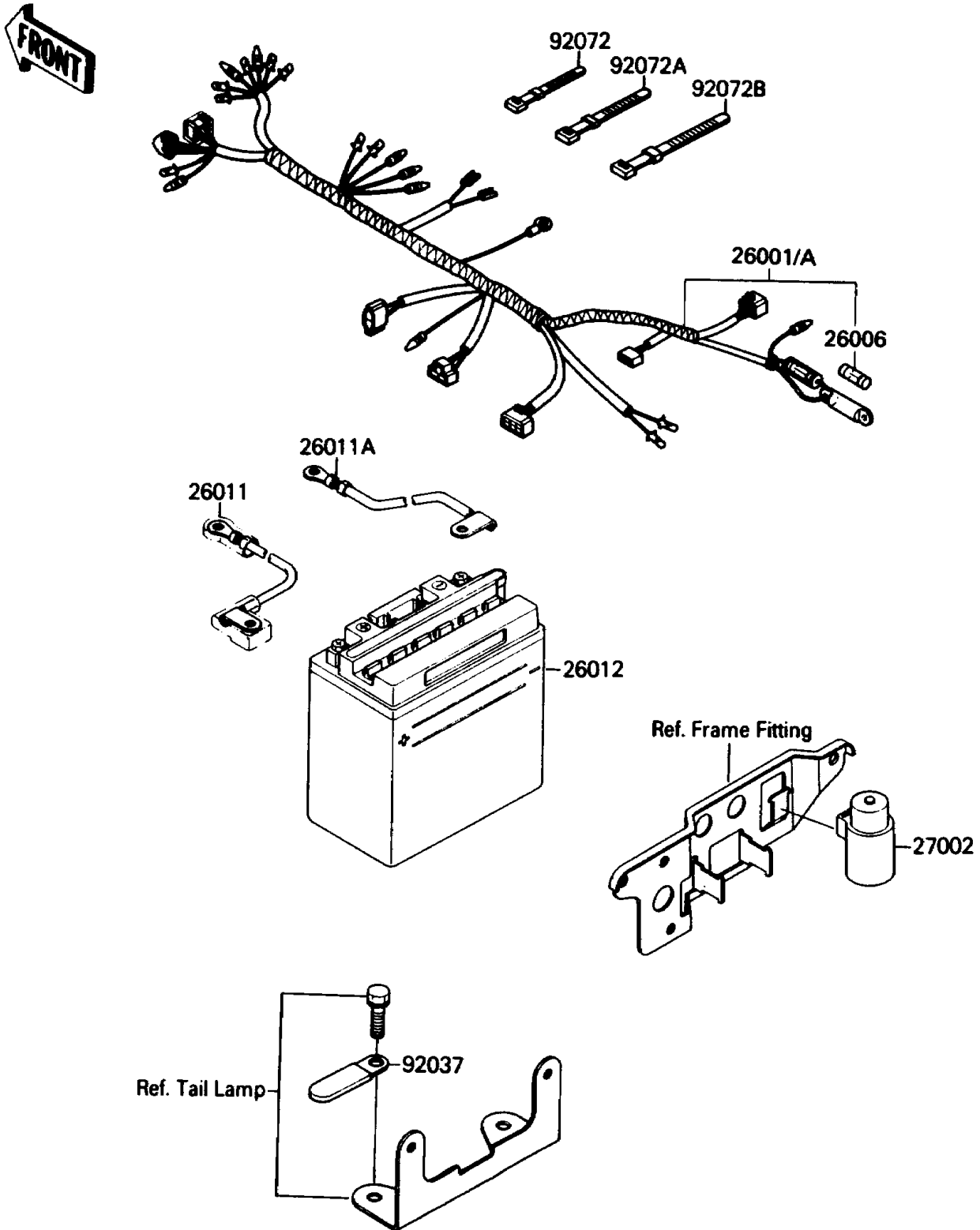


# 1988 Mojave 110E PARTS DIAGRAM

Chassis Electrical Equipment

F2760-0380



# 1988 Mojave 110E PARTS LIST

## Chassis Electrical Equipment

ITEM NAME	PART NUMBER	QUANTITY
HARNESS,MAIN (Ref # 26001A)	26001-1877	1
FUSE,20A,L=25 (Ref # 26006)	26006-005	2
WIRE-LEAD,BATTERY(+) (Ref # 26011)	26011-1362	1
WIRE-LEAD,BATTERY(-) (Ref # 26011A)	26011-1363	1
BATTERY,FB9L-A2K(K2),12V (Ref # 26012)	26012-1127	1
RELAY-ASSY (Ref # 27002)	27002-1051	1
CLAMP,WIRING HARNESS (Ref # 92037)	92037-1539	1
BAND,L=123 (Ref # 92072)	92072-030	3
BAND,L=149 (Ref # 92072A)	92072-031	6
BAND,L=186 (Ref # 92072B)	92072-056	1