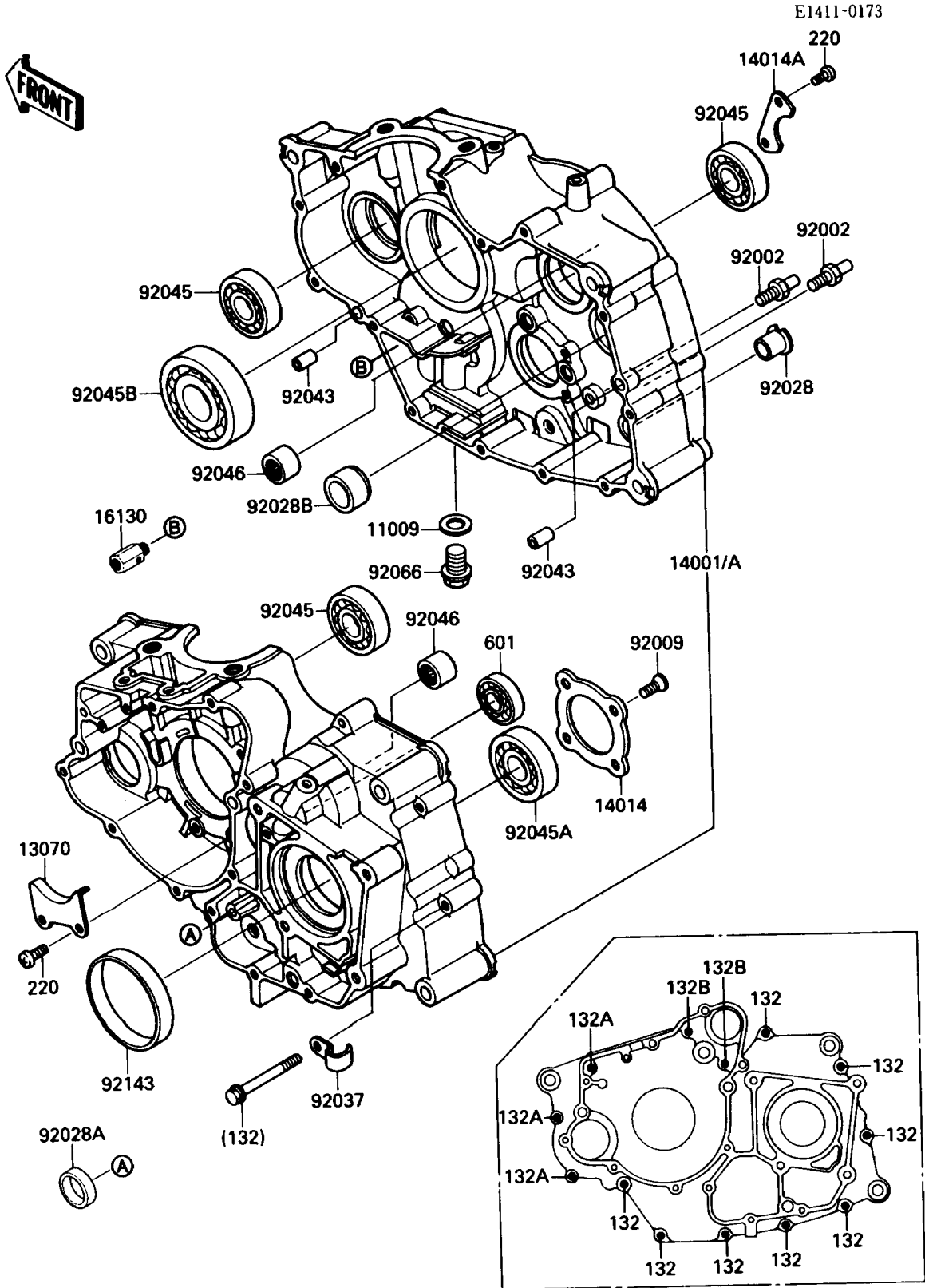


1988 Bayou 220 PARTS DIAGRAM

Crankcase



1988 Bayou 220 PARTS LIST

Crankcase

| ITEM NAME | PART NUMBER | QUANTITY |
|---|-------------|----------|
| BOLT-FLANGED-SMALL (Ref # 132) | 132Y0640 | 8 |
| BOLT-FLANGED-SMALL (Ref # 132A) | 132Y0660 | 3 |
| BOLT-FLANGED-SMALL (Ref # 132B) | 132Y0675 | 2 |
| SCREW-PAN-CROS,6X14 (Ref # 220) | 220B0614 | 4 |
| BEARING-BALL (Ref # 601) | 601A6202Z | 1 |
| GASKET,12X22X2,DRAIN PLUG (Ref # 11009) | 92065-097 | 1 |
| GUIDE,CAM CHAIN (Ref # 13070) | 13070-1176 | 1 |
| SET-CRANKCASE (Ref # 14001) | 14001-5238 | 1 |
| PLATE-POSITION (Ref # 14014) | 14014-1086 | 1 |
| PLATE-POSITION (Ref # 14014A) | 14014-1088 | 1 |
| BOLT,RETURN SPRING (Ref # 92002) | 92002-1408 | 2 |
| SCREW,6X14 (Ref # 92009) | 92009-1349 | 4 |
| BUSHING (Ref # 92028) | 92028-1386 | 1 |
| BUSHING,14X16X15 (Ref # 92028A) | 92028-1505 | 1 |
| BUSHING (Ref # 92028B) | 92028-1506 | 1 |
| CLAMP (Ref # 92037) | 92037-1939 | 1 |
| PIN,6.2X8X14 (Ref # 92043) | 92043-1263 | 2 |
| BEARING-BALL,#6204 (Ref # 92045) | 92045-1032 | 3 |
| BEARING-BALL,TMB304CCM (Ref # 92045A) | 92045-1142 | 1 |
| BEARING-BALL (Ref # 92045B) | 92045-1172 | 1 |
| BEARING-NEEDLE,HMK1515B (Ref # 92046) | 92046-060 | 2 |
| PLUG,OIL DRAIN,12X15 (Ref # 92066) | 92066-1174 | 1 |
| COLLAR,66X70X11 (Ref # 92143) | 92143-1120 | 1 |