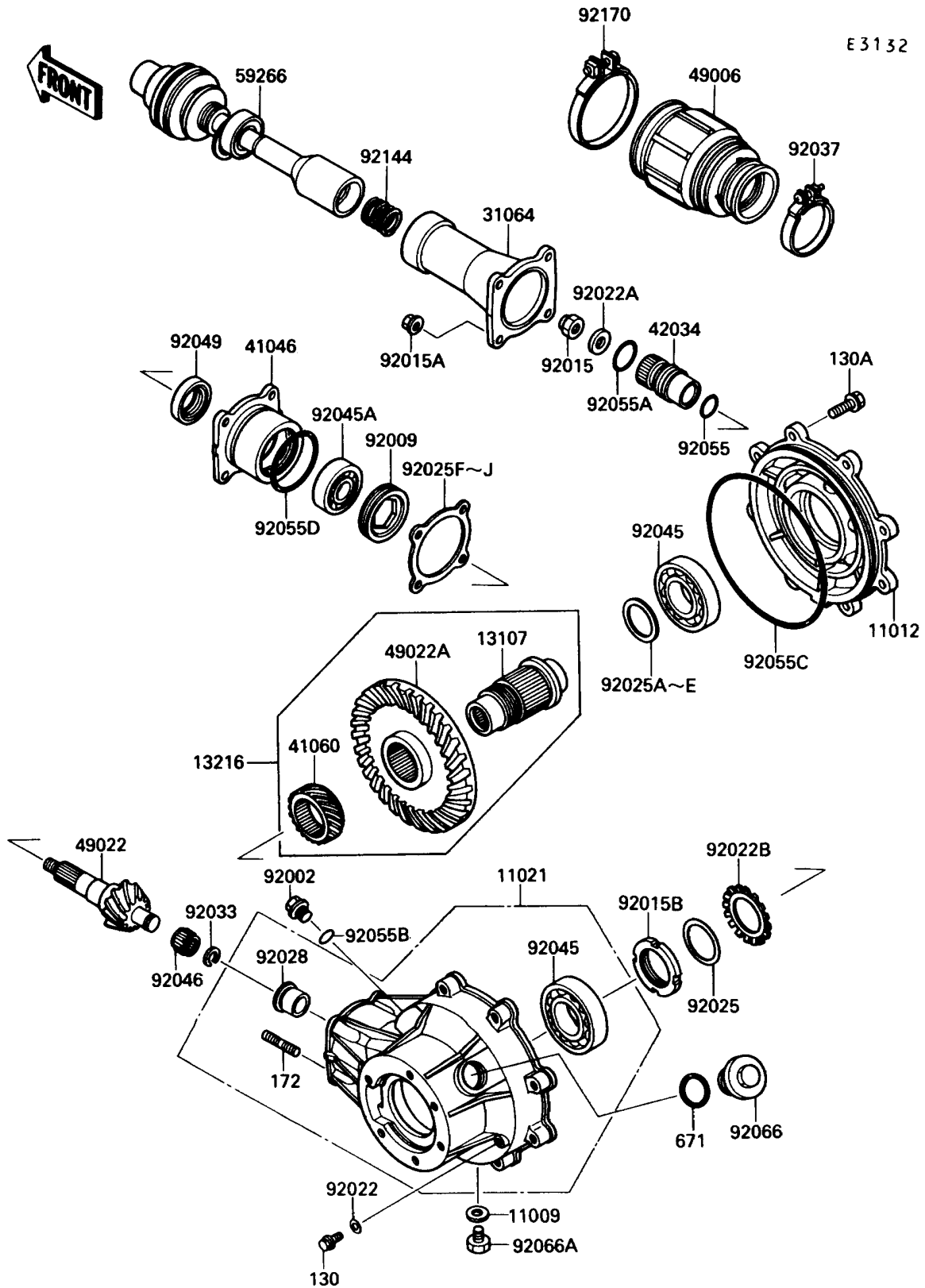


1988 Bayou 220 PARTS DIAGRAM

Drive Shaft/Final Gear



1988 Bayou 220 PARTS LIST

Drive Shaft/Final Gear

| ITEM NAME | PART NUMBER | QUANTITY |
|---|-------------|----------|
| GASKET,10.5X16X1,DRAIN PLUG (Ref # 11009) | 92065-058 | 1 |
| CAP (Ref # 11012) | 11012-1593 | 1 |
| CASE-ASSY,FRONT BEVEL (Ref # 11021) | 11021-1069 | 1 |
| SHAFT,FINAL GEAR (Ref # 13107) | 13107-1211 | 1 |
| PIPE-COMP,FR (Ref # 31064) | 31064-1087 | 1 |
| HOUSING-BEARING (Ref # 41046) | 41046-1084 | 1 |
| GEAR-METER SCREW (Ref # 41060) | 41060-1118 | 1 |
| COUPLING,DIFFERENTIAL CASE (Ref # 42034) | 42034-1078 | 1 |
| BOOT,DRIVE SHAFT (Ref # 49006) | 49006-1240 | 1 |
| GEAR-BEVEL,10T (Ref # 49022) | 49022-1097 | 1 |
| GEAR-BEVEL,39T (Ref # 49022A) | 49022-1098 | 1 |
| JOINT-BALL,DRIVE SHAFT (Ref # 59266) | 59266-1069 | 1 |
| BOLT,16X10 (Ref # 92002) | 92002-1238 | 1 |
| SCREW (Ref # 92009) | 92009-1475 | 1 |
| NUT,12MM (Ref # 92015) | 92015-1182 | 1 |
| NUT,8MM (Ref # 92015A) | 92015-1402 | 4 |
| NUT (Ref # 92015B) | 92015-1665 | 1 |
| WASHER,6.1X12X1 (Ref # 92022) | 92022-077 | 1 |
| WASHER,12.3X25X3.2 (Ref # 92022A) | 92022-1293 | 1 |
| WASHER (Ref # 92022B) | 92022-1883 | 1 |
| SHIM (Ref # 92025) | 92025-1587 | 1 |
| SHIM,35.3X46X1.00 (Ref # 92025A) | 92025-1849 | AR |
| SHIM,35.3X46X0.10 (Ref # 92025B) | 92025-1850 | AR |
| SHIM,35.3X46X0.15 (Ref # 92025C) | 92025-1851 | AR |
| SHIM,35.3X46X0.50 (Ref # 92025D) | 92025-1856 | AR |
| SHIM,35.3X46X0.80 (Ref # 92025E) | 92025-1857 | AR |
| SHIM,T=1.00 (Ref # 92025F) | 92025-1864 | AR |
| SHIM,T=0.10 (Ref # 92025G) | 92025-1865 | AR |
| SHIM,T=0.15 (Ref # 92025H) | 92025-1866 | AR |

1988 Bayou 220 PARTS LIST

Drive Shaft/Final Gear

| ITEM NAME | PART NUMBER | QUANTITY |
|--|-------------|----------|
| SHIM,T=0.50 (Ref # 92025I) | 92025-1867 | AR |
| SHIM,T=0.80 (Ref # 92025J) | 92025-1868 | AR |
| BUSHING (Ref # 92028) | 92028-1501 | 1 |
| RING-SNAP,14X17.5X1.2 (Ref # 92033) | 92033-1234 | 1 |
| CLAMP (Ref # 92037) | 92037-1523 | 1 |
| BEARING-BALL (Ref # 92045) | 92045-1110 | 2 |
| BEARING-BALL (Ref # 92045A) | 92045-1112 | 1 |
| BEARING-NEEDLE,K15X21X15 (Ref # 92046) | 92046-1173 | 1 |
| SEAL-OIL (Ref # 92049) | 92049-1231 | 1 |
| RING-O,17.5X1.5 (Ref # 92055) | 92055-022 | 1 |
| BOLT-FLANGED,6X8 (Ref # 130) | 130B0608 | 1 |
| BOLT-FLANGED (Ref # 130A) | 130P0825 | 8 |
| BOLT-STUD,8X25 (Ref # 172) | 172G0825 | 4 |
| O RING,30MM (Ref # 671) | 671B2530 | 1 |
| RING-O,27MM (Ref # 92055A) | 92055-1119 | 1 |
| RING-O,ID=13.8 (Ref # 92055B) | 92055-1141 | 1 |
| RING-O,154MM (Ref # 92055C) | 92055-1165 | 1 |
| RING-O (Ref # 92055D) | 92055-3018 | 1 |
| PLUG (Ref # 92066) | 92066-1284 | 1 |
| PLUG,DRAIN,10X12 (Ref # 92066A) | 92067-001 | 1 |
| SPRING,DRIVE SHAFT (Ref # 92144) | 92144-1235 | 1 |
| CLAMP (Ref # 92170) | 92170-1149 | 1 |