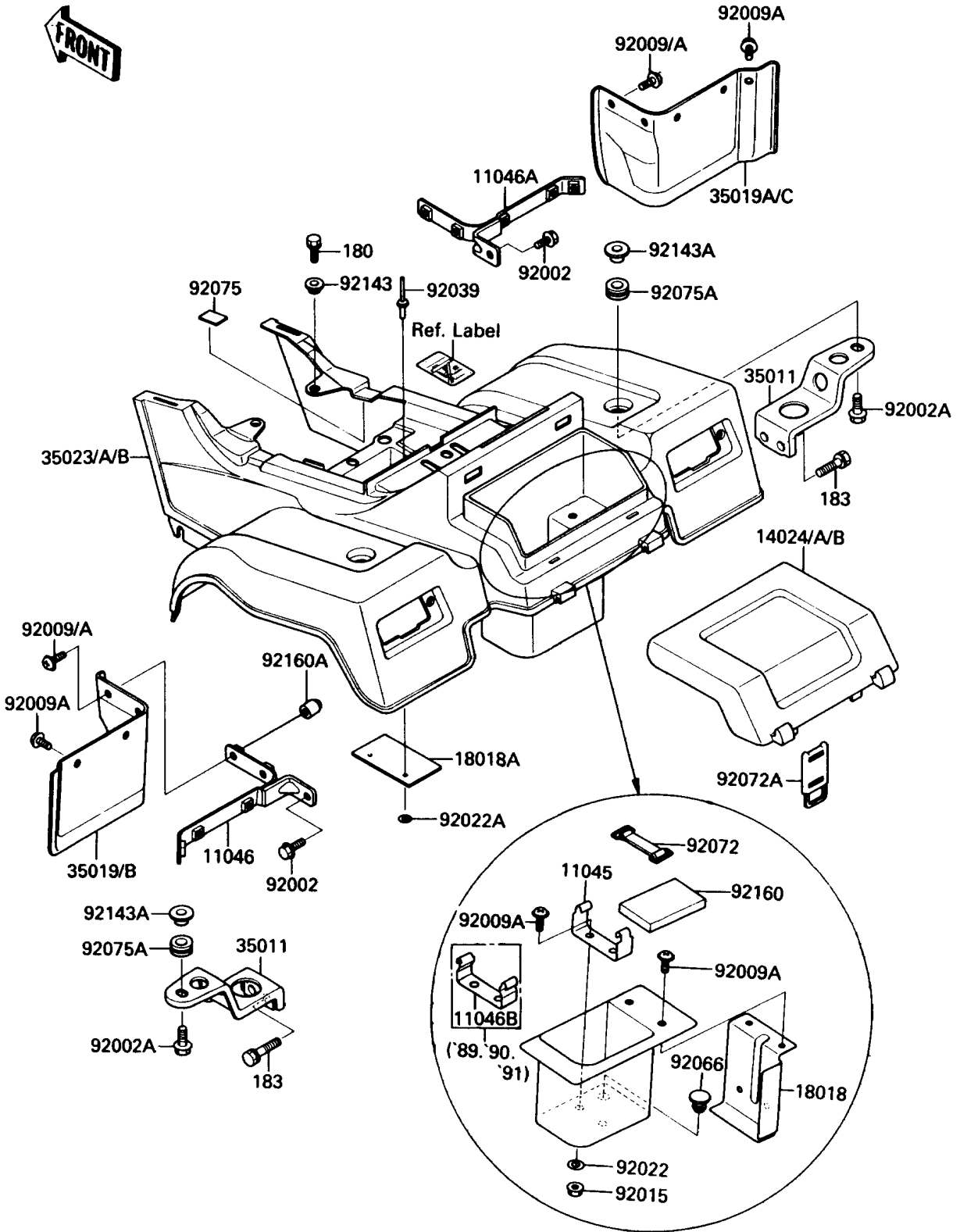


# 1990 Bayou 220 PARTS DIAGRAM

Rear Fender

F2172



# 1990 Bayou 220 PARTS LIST

## Rear Fender

ITEM NAME	PART NUMBER	QUANTITY
BOLT-UPSET-WS (Ref # 180)	180D0618	2
BOLT-UPSET-WS-SMALL (Ref # 183)	183J0814	4
BRACKET,REAR FLAP,LH (Ref # 11046)	11045-1731	1
BRACKET,REAR FLAP,RH (Ref # 11046A)	11045-1732	1
BRACKET,TOOL BAND (Ref # 11046B)	11046-1451	1
COVER,REAR FENDER,BLACK (Ref # 14024)	14024-1477-6D	1
COVER,REAR FENDER,F.RED (Ref # 14024B)	14024-1477-6L	1
PLATE-HEAT GUARD (Ref # 18018)	18018-1075	1
PLATE-HEAT GUARD (Ref # 18018A)	18018-1079	1
STAY,REAR FENDER (Ref # 35011)	35011-1363	2
FLAP,RR,LH (Ref # 35019B)	35019-1253	1
FLAP,RR,RH (Ref # 35019C)	35019-1254	1
FENDER-REAR,BLACK (Ref # 35023)	35023-1196-6D	1
FENDER-REAR,F.RED (Ref # 35023B)	35023-1196-6L	1
BOLT,6X14 (Ref # 92002)	92002-1351	2
BOLT,FLANGED,8X25 (Ref # 92002A)	92002-1591	2
SCREW,6X22,BLACK (Ref # 92009)	92009-1256	2
SCREW,6X14 (Ref # 92009A)	92009-1288	12
NUT,FLANGED,6MM,BLACK (Ref # 92015)	92015-1237	2
WASHER,6.5X20X1.6 (Ref # 92022)	92022-1804	2
WASHER (Ref # 92022A)	92022-4017	2
RIVET,POP (Ref # 92039)	92039-4006	2
PLUG,11X3.2 (Ref # 92066)	92074-038	1
BAND (Ref # 92072)	92072-1085	1
BAND (Ref # 92072A)	92072-1227	2
DAMPER (Ref # 92075)	92075-1830	2
DAMPER (Ref # 92075A)	92075-1898	2
COLLAR,L=6.5 (Ref # 92143)	92143-1025	2
COLLAR,MUFFLER FITTING (Ref # 92143A)	92143-1069	2

# 1990 Bayou 220 PARTS LIST

## Rear Fender

ITEM NAME	PART NUMBER	QUANTITY
DAMPER,TOOL KIT (Ref # 92160)	92160-1076	1
DAMPER (Ref # 92160A)	92160-1111	2