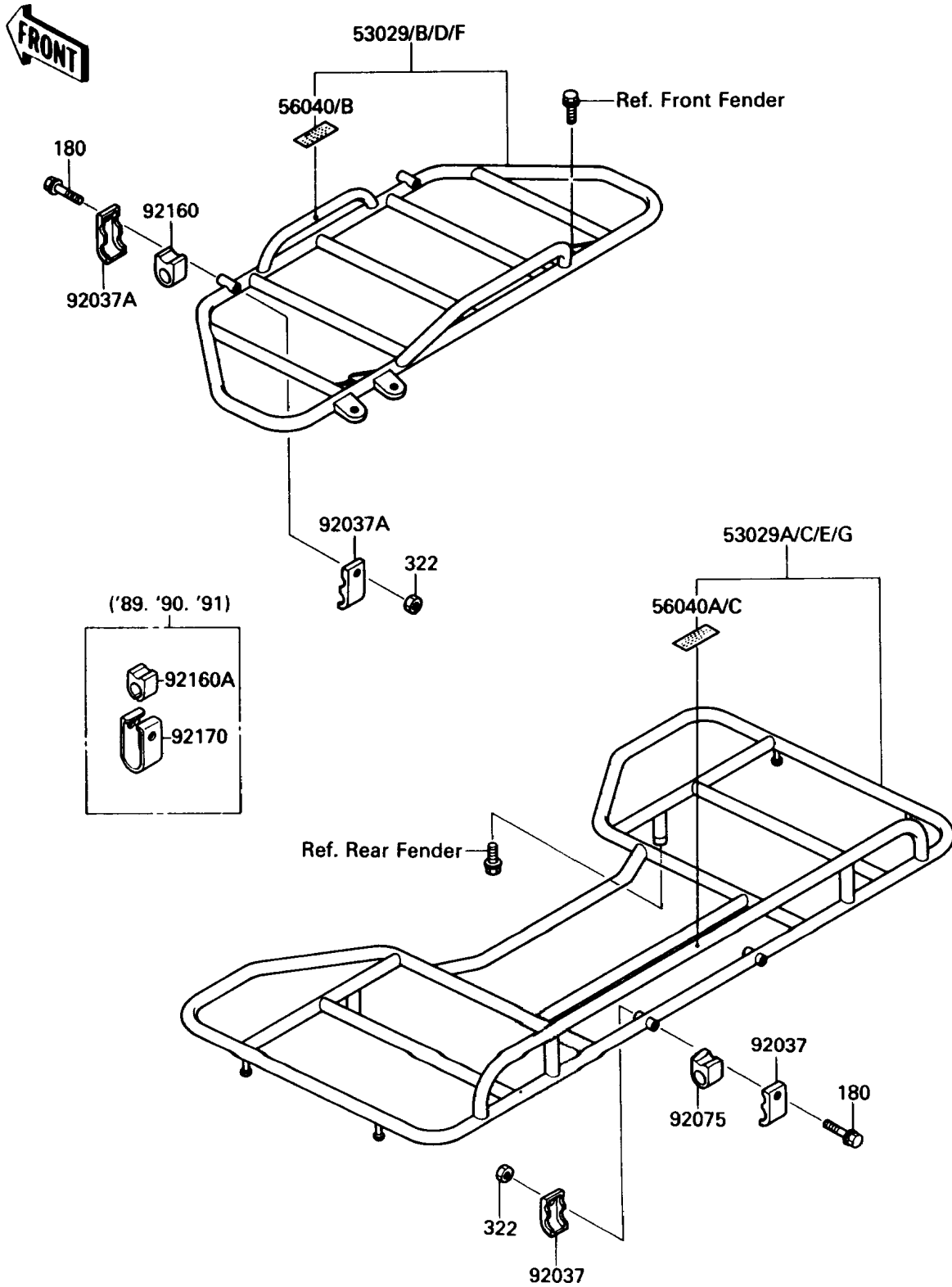


# 1988 Bayou 220 PARTS DIAGRAM

Carrier

F2520



# 1988 Bayou 220 PARTS LIST

## Carrier

ITEM NAME	PART NUMBER	QUANTITY
BOLT-UPSET-WS (Ref # 180)	180J0640	4
NUT-CAP,6MM,BLACK (Ref # 322)	322C0600	4
LABEL-WARNING,MAXIMUM LOAD (Ref # 56040)	56040-1142	1
LABEL-WARNING,MAXIMUM LOAD (Ref # 56040A)	56040-1216	1
CLAMP,RR CARRIER (Ref # 92037)	92037-1660	4
CLAMP,CARRIER (Ref # 92037A)	92037-1924	4
DAMPER,CARRIER (Ref # 92075)	92075-1728	2
DAMPER,CARRIER (Ref # 92160)	92075-1969	2
CARRIER,FR (Ref # 53029)	53029-1085	1
CARRIER,RR (Ref # 53029A)	53029-1087	1
CARRIER,FR (Ref # 53029B)	53029-1089	1
CARRIER,RR (Ref # 53029C)	53029-1091	1