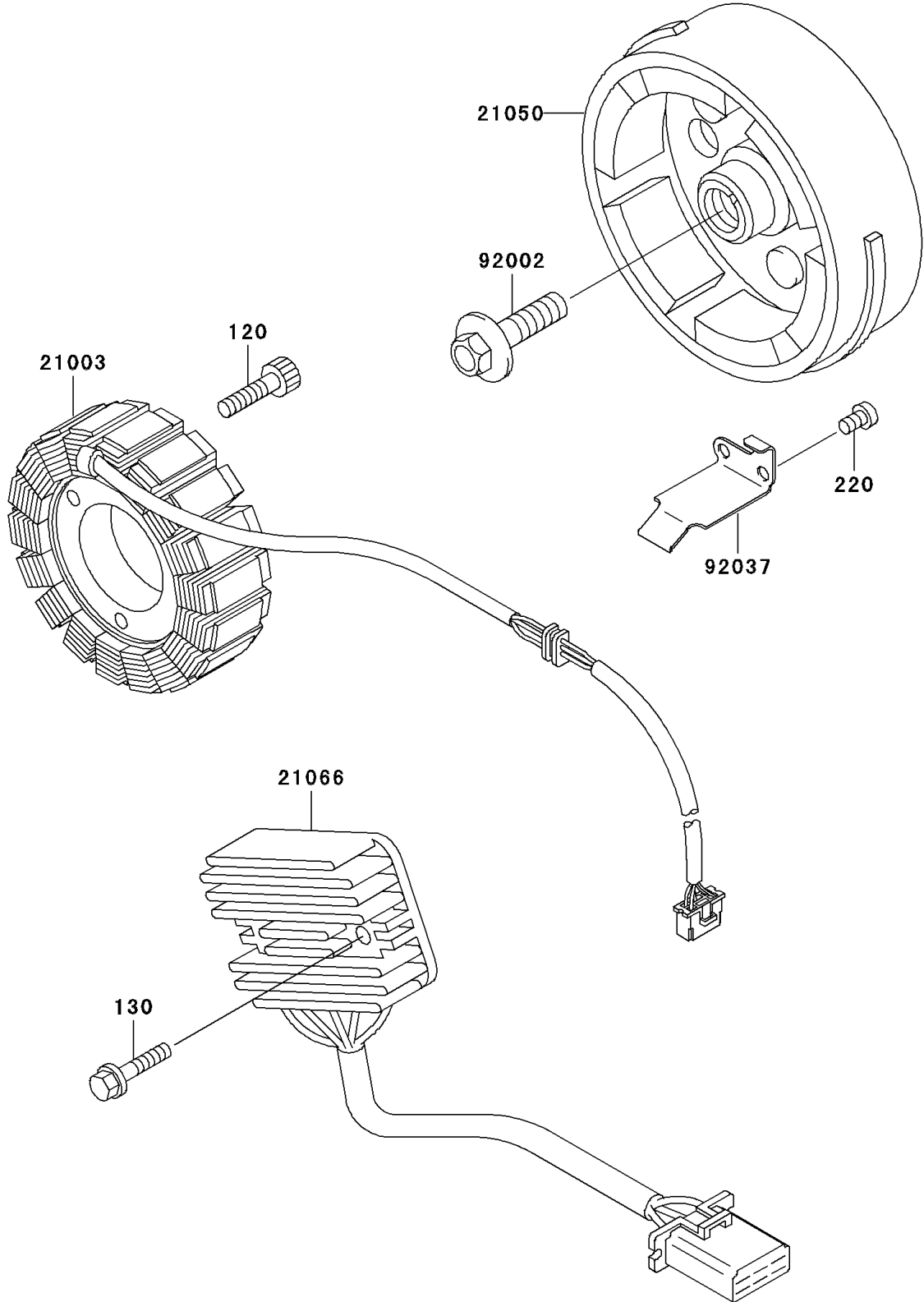


2008 Ninja® 500R PARTS DIAGRAM

Generator

E1810



2008 Ninja® 500R PARTS LIST

Generator

ITEM NAME	PART NUMBER	QUANTITY
BOLT-SOCKET,6X25 (Ref # 120)	120CA0625	3
BOLT-FLANGED,6X25 (Ref # 130)	130AA0625	2
SCREW-PAN-CROSS,5X10 (Ref # 220)	220AA0510	2
STATOR (Ref # 21003)	21003-1123	1
FLYWHEEL (Ref # 21050)	21050-1162	1
REGULATOR-VOLTAGE (Ref # 21066)	21066-1030	1
BOLT,FLANGED,10X36 (Ref # 92002)	92002-1457	1
CLAMP,GENERATOR LEAD (Ref # 92037)	92037-1630	1