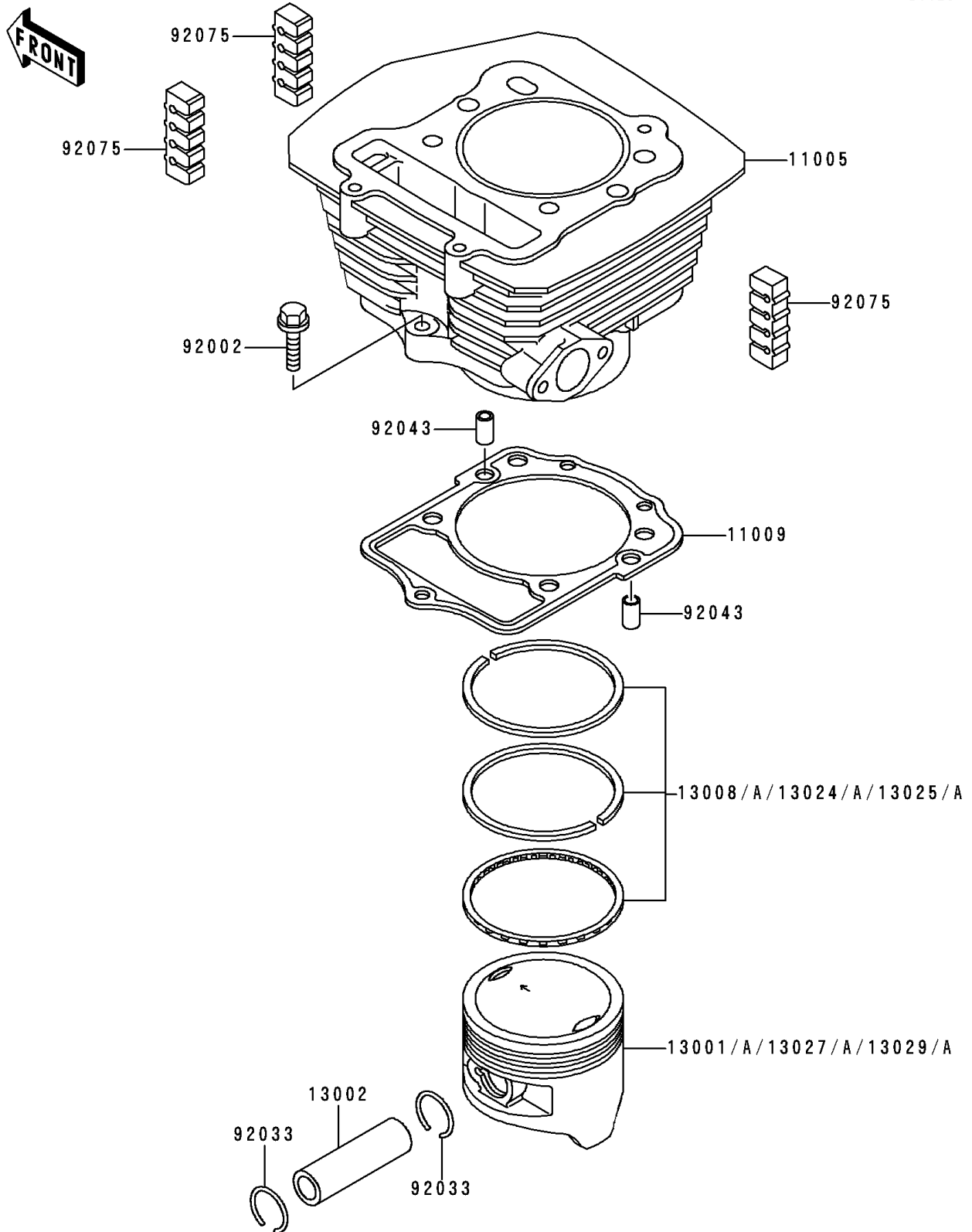


1990 Bayou 300 PARTS DIAGRAM

Cylinder/Piston

E1120



1990 Bayou 300 PARTS LIST

Cylinder/Piston

ITEM NAME	PART NUMBER	QUANTITY
CYLINDER-ENGINE (Ref # 11005)	11005-1533	1
GASKET,CYLINDER BASE (Ref # 11009)	11009-1515	1
PISTON-ENGINE,STD (Ref # 13001A)	13001-1286	1
PIN-PISTON (Ref # 13002)	13002-1059	1
RING-SET-PISTON,STD (Ref # 13008A)	13008-1111	1
RING-SET-PISTON LL,O/S 1.00 (Ref # 13024A)	13024-1080	1
RING-SET-PISTON L,O/S 0.50 (Ref # 13025A)	13025-1093	1
PISTON-ENGINE LL,O/S 1.00 (Ref # 13027A)	13027-1157	1
PISTON-ENGINE L,O/S 0.50 (Ref # 13029A)	13029-1181	1
BOLT,6X28 (Ref # 92002)	92002-1105	1
RING-SNAP,20.5X1.2 (Ref # 92033)	92033-1099	2
PIN,6.2X8X14 (Ref # 92043)	92043-1263	2
DAMPER (Ref # 92075)	92075-1657	3