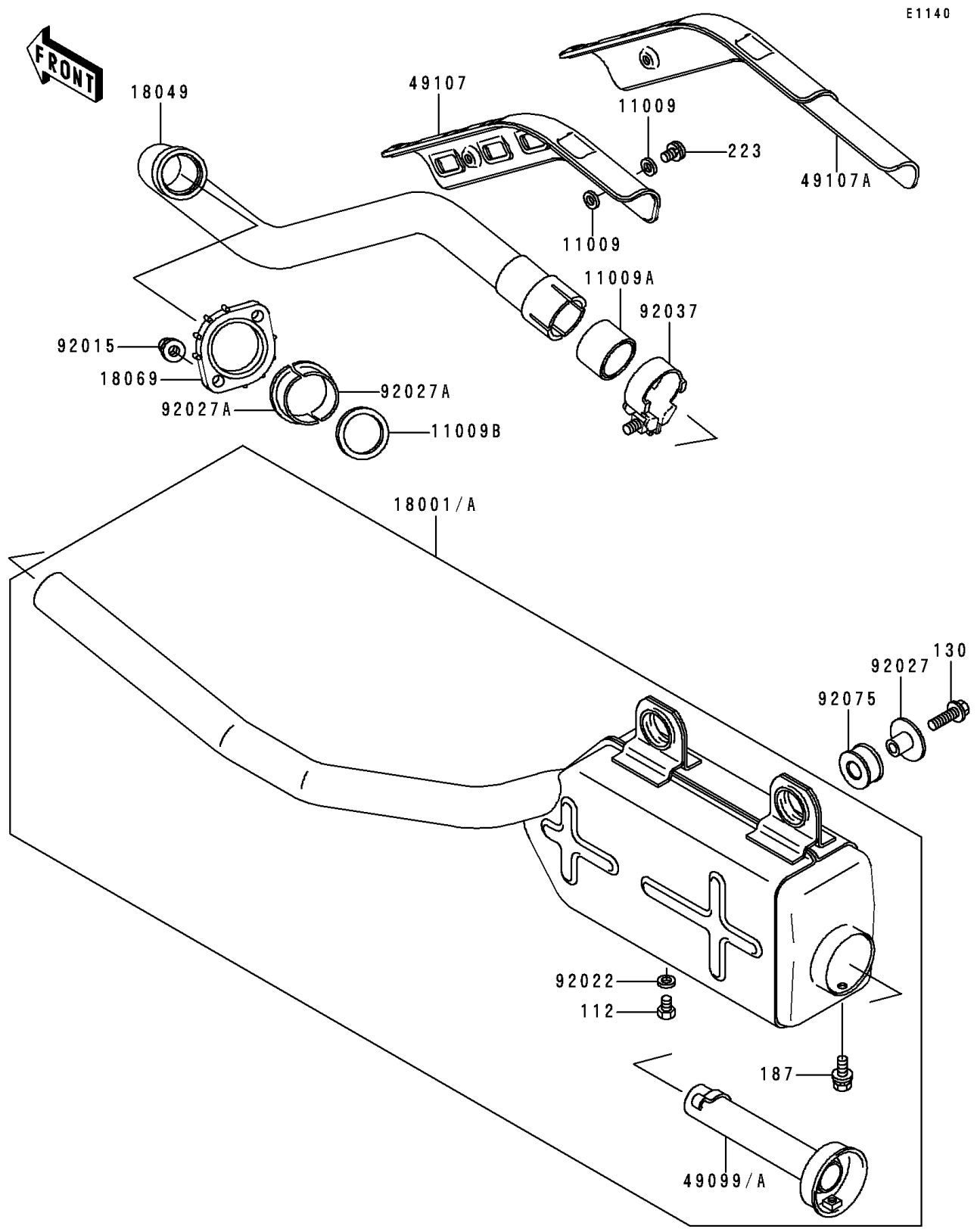


# 1989 Bayou 300 PARTS DIAGRAM

Muffler



# 1989 Bayou 300 PARTS LIST

## Muffler

| ITEM NAME                                     | PART NUMBER | QUANTITY |
|---|-------------|----------|
| BOLT-UPSET (Ref # 112)                        | 112B0608    | 1        |
| BOLT-FLANGED,8X25,BLACK (Ref # 130)           | 130J0825    | 2        |
| BOLT-UPSET-WSP (Ref # 187)                    | 187B0612    | 1        |
| SCREW-PAN-WS-CROS (Ref # 223)                 | 223C0610    | 2        |
| GASKET,6.2X11.5X1.5 (Ref # 11009)             | 11009-1451  | 4        |
| GASKET,EXHAUST PIPE CONNECTING (Ref # 11009A) | 11009-1718  | 1        |
| GASKET,EXHAUST PIPE HOLDER (Ref # 11009B)     | 11009-1866  | 1        |
| MUFFLER (Ref # 18001A)                        | 18001-1726  | 1        |
| PIPE-EXHAUST (Ref # 18049)                    | 18049-1417  | 1        |
| HOLDER-EXHAUST PIPE (Ref # 18069)             | 18069-1014  | 1        |
| BAFFLE-PIPE MUFFLER (Ref # 49099A)            | 49099-1268  | 1        |
| COVER-EXHAUST PIPE (Ref # 49107A)             | 49107-1081  | 1        |
| NUT,8MM (Ref # 92015)                         | 92015-1402  | 2        |
| WASHER,6.2X11X1 (Ref # 92022)                 | 92022-304   | 1        |
| COLLAR,MUFFLER (Ref # 92027)                  | 92027-1981  | 2        |
| COLLAR,EXHAUST PIPE (Ref # 92027A)            | 92027-264   | 2        |
| CLAMP (Ref # 92037)                           | 92037-1956  | 1        |
| DAMPER,MUFFLER (Ref # 92075)                  | 92075-1809  | 2        |