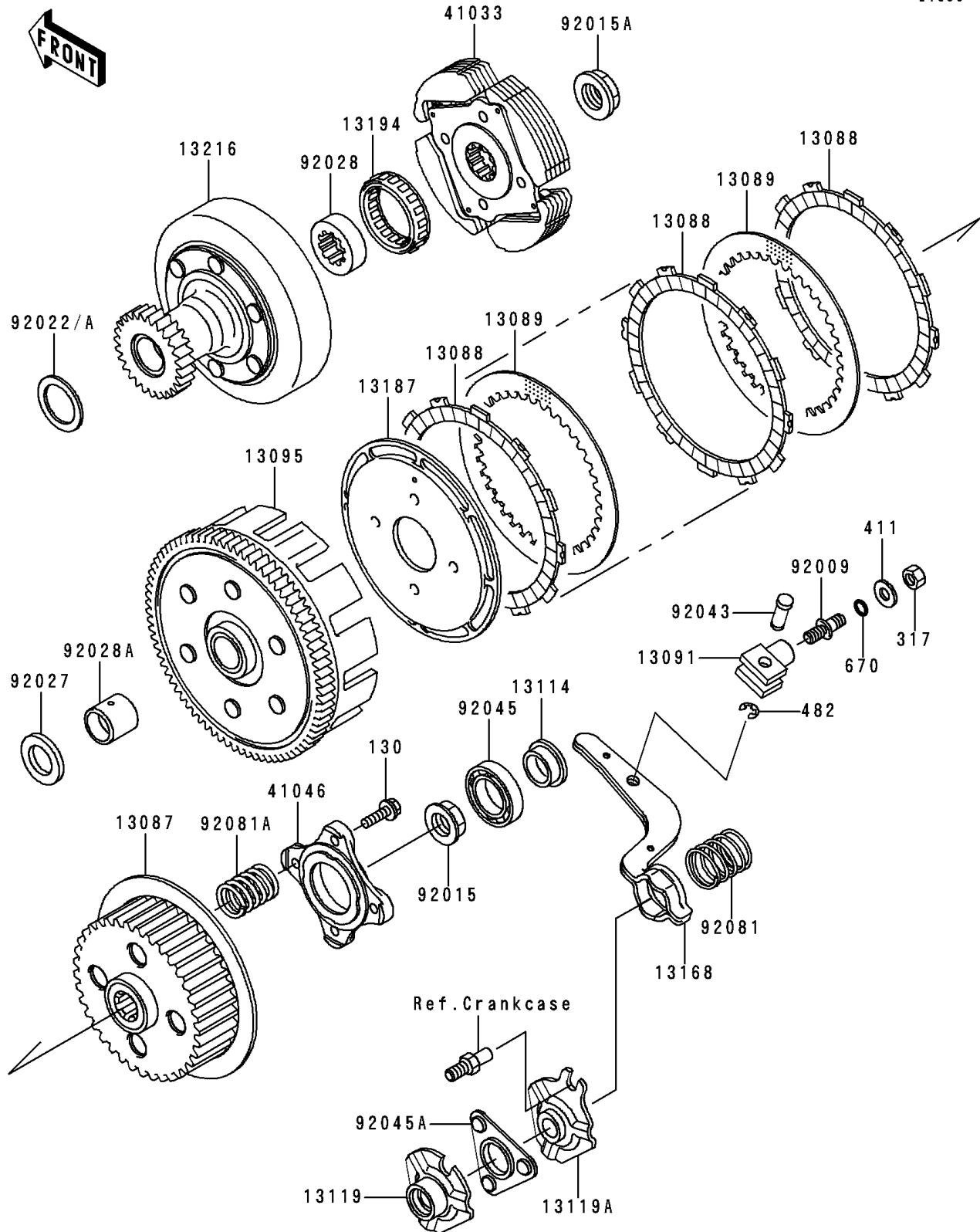


1989 Bayou 300 PARTS DIAGRAM

Clutch

E1350



1989 Bayou 300 PARTS LIST

Clutch

| ITEM NAME | PART NUMBER | QUANTITY |
|--|-------------|----------|
| BOLT-FLANGED,6X20 (Ref # 130) | 130P0620 | 4 |
| NUT-HEX-SMALL,8MM (Ref # 317) | 317B0800 | 1 |
| WASHER-PLAIN,8MM (Ref # 411) | 411B0800 | 1 |
| CIRCLIP-TYPE-E,6MM (Ref # 482) | 482J6000 | 1 |
| O RING,8MM (Ref # 670) | 670B1508 | 1 |
| HUB-CLUTCH (Ref # 13087) | 13087-1065 | 1 |
| PLATE-FRICTION (Ref # 13088) | 13088-041 | 5 |
| PLATE-CLUTCH (Ref # 13089) | 13089-1005 | 4 |
| HOLDER,CLUTCH RELEASE (Ref # 13091) | 13091-1341 | 1 |
| HOUSING-COMP-CLUTCH (Ref # 13095) | 13095-1133 | 1 |
| PUSHER-CLUTCH (Ref # 13114) | 13114-1056 | 1 |
| CAM-RELEASE (Ref # 13119) | 13119-1054 | 1 |
| CAM-RELEASE (Ref # 13119A) | 13119-1060 | 1 |
| LEVER,CLUTCH RELEASE (Ref # 13168) | 13168-1263 | 1 |
| PLATE-CLUTCH OPERATING (Ref # 13187) | 13187-1053 | 1 |
| CLUTCH-ONEWAY (Ref # 13194) | 13194-1055 | 1 |
| GEAR-COMP,CLUTCH,FR (Ref # 13216) | 13216-1073 | 1 |
| HUB-ASSY,CLUTCH,FR (Ref # 41033) | 41033-1562 | 1 |
| HOUSING-BEARING (Ref # 41046) | 41046-1063 | 1 |
| SCREW,CLUTCH RELEASE (Ref # 92009) | 92009-1303 | 1 |
| NUT,16MM (Ref # 92015) | 92015-1465 | 1 |
| NUT,18MM (Ref # 92015A) | 92015-1512 | 1 |
| WASHER,27.3X38X0.8 (Ref # 92022A) | 92022-1989 | 1 |
| COLLAR,20.5X34X4 (Ref # 92027) | 92027-1888 | 1 |
| BUSHING,CLUTCH,FR (Ref # 92028) | 92028-1370 | 1 |
| BUSHING,CLUTCH (Ref # 92028A) | 92028-1371 | 1 |
| PIN,CLUTCH RELEASE (Ref # 92043) | 92043-1230 | 1 |
| BEARING-BALL,#6905 (Ref # 92045) | 92045-036 | 1 |
| BEARING-BALL,CLUTCH RELEASE (Ref # 92045A) | 92045-1117 | 1 |

1989 Bayou 300 PARTS LIST

Clutch

| ITEM NAME | PART NUMBER | QUANTITY |
|------------------------------|-------------|----------|
| SPRING (Ref # 92081) | 92081-1681 | 1 |
| SPRING,CLUTCH (Ref # 92081A) | 92081-1848 | 4 |