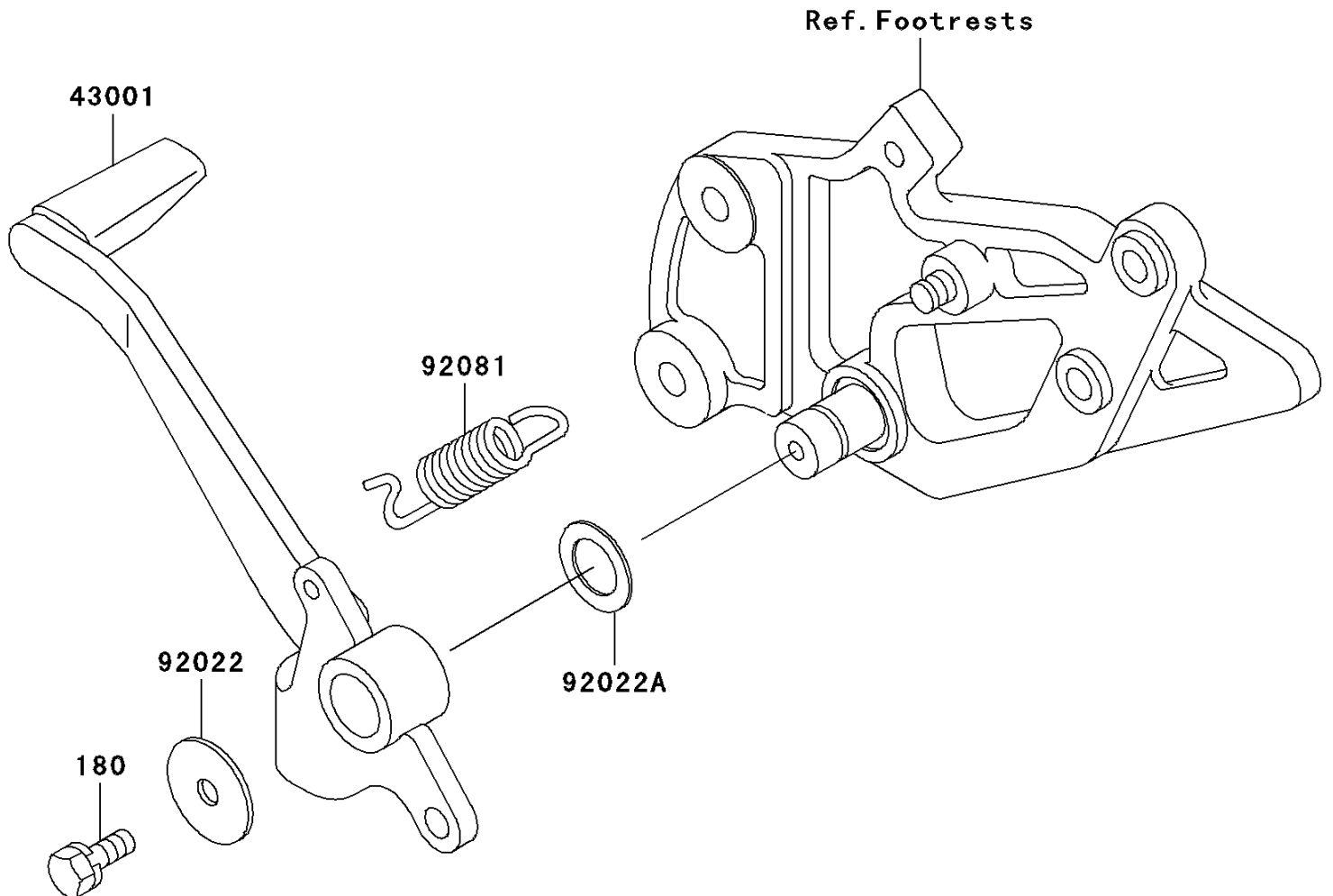


2006 Ninja® 500R PARTS DIAGRAM

Brake Pedal/Torque Link

F2260



2006 Ninja® 500R PARTS LIST

Brake Pedal/Torque Link

ITEM NAME	PART NUMBER	QUANTITY
-----------	-------------	----------