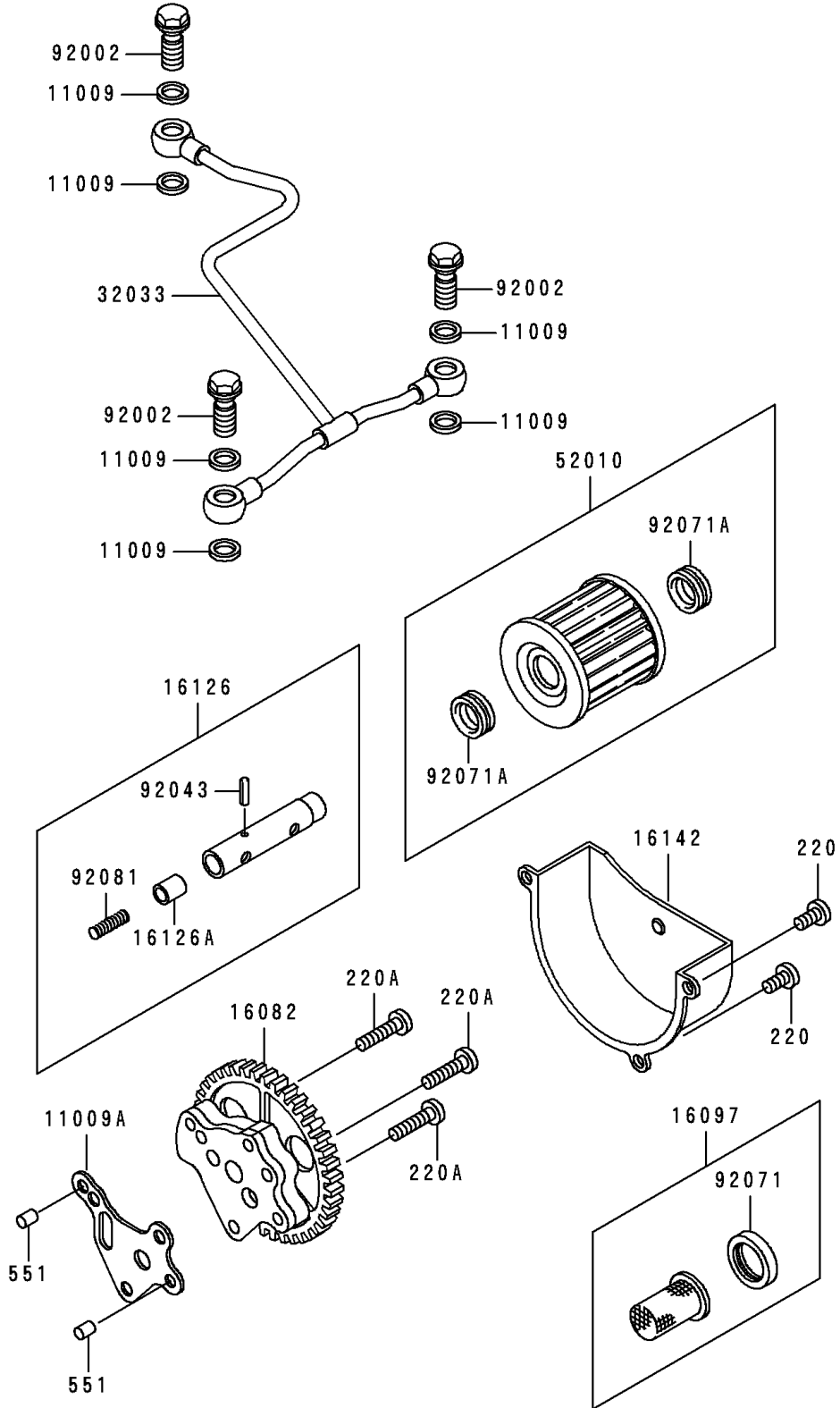


1991 Bayou 300 PARTS DIAGRAM

Oil Pump

E1710



1991 Bayou 300 PARTS LIST

Oil Pump

| ITEM NAME | PART NUMBER | QUANTITY |
|---|-------------|----------|
| SCREW-PAN-CROS,6X12 (Ref # 220) | 220B0612 | 3 |
| SCREW-PAN-CROS,6X25 (Ref # 220A) | 220B0625 | 3 |
| PIN-DOWEL,6X8 (Ref # 551) | 551A0608 | 2 |
| GASKET,10X14.5X1.5 (Ref # 11009) | 11009-1105 | 6 |
| GASKET,OIL PUMP (Ref # 11009A) | 11009-1520 | 1 |
| PUMP-ASSY-OIL (Ref # 16082) | 16082-1068 | 1 |
| FILTER-ASSY-OIL (Ref # 16097) | 16097-1001 | 1 |
| PISTON-ASSY,VALVE,BY-PASS (Ref # 16126) | 16156-002 | 1 |
| VALVE (Ref # 16126A) | 92136-002 | 1 |
| COVER-PUMP (Ref # 16142) | 16142-1064 | 1 |
| PIPE,OIL (Ref # 32033) | 32033-1744 | 1 |
| ELEMENT-OIL FILTER (Ref # 52010) | 16099-004 | 1 |
| BOLT,OIL,L=23 (Ref # 92002) | 92002-1888 | 3 |
| PIN,SPRING,2.2X13.5 (Ref # 92043) | 92043-123 | 1 |
| GROMMET,OIL STRAINER (Ref # 92071) | 92071-100 | 1 |
| GROMMET,OIL FILTER (Ref # 92071A) | 92071-101 | 2 |
| SPRING,PISTON (Ref # 92081) | 92081-043 | 1 |