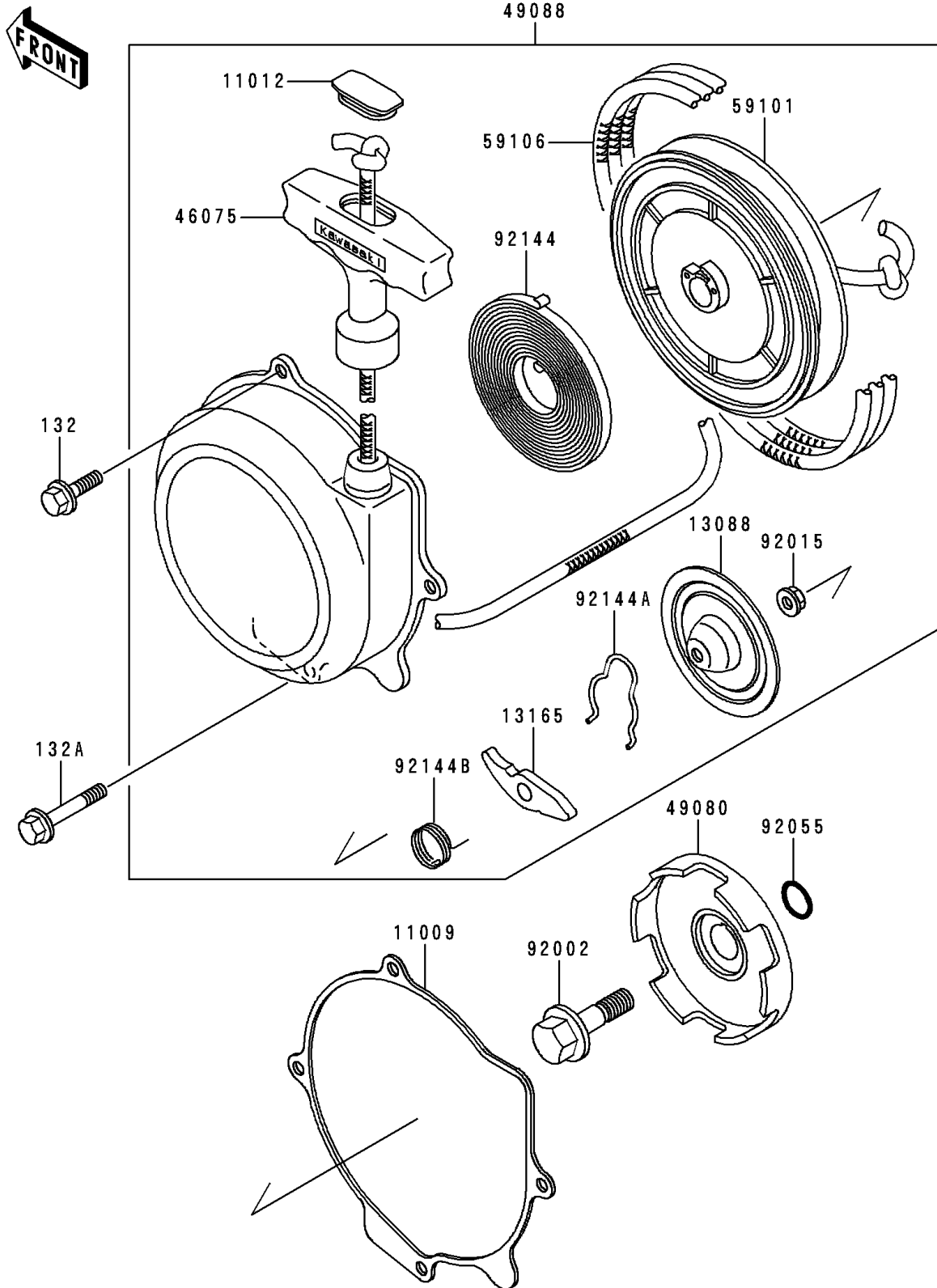


1989 Bayou 300 PARTS DIAGRAM

Recoil Starter

E3040



1989 Bayou 300 PARTS LIST

Recoil Starter

| ITEM NAME | PART NUMBER | QUANTITY |
|-------------------------------------|-------------|----------|
| BOLT-FLANGED-SMALL (Ref # 132) | 132J0614 | 2 |
| BOLT-FLANGED-SMALL (Ref # 132A) | 132J0690 | 2 |
| GASKET (Ref # 11009) | 11009-1679 | 1 |
| CAP,RECOIL GRIP (Ref # 11012) | 11012-1420 | 1 |
| PLATE-FRICTION,RECOIL (Ref # 13088) | 13088-1073 | 1 |
| PAWL,RECOIL (Ref # 13165) | 13165-1123 | 1 |
| GRIP,RECOIL (Ref # 46075) | 46075-1073 | 1 |
| PULLEY-STARTING (Ref # 49080) | 49080-1055 | 1 |
| STARTER-RECOIL (Ref # 49088) | 49088-1055 | 1 |
| REEL (Ref # 59101) | 59101-1109 | 1 |
| ROPE (Ref # 59106) | 59106-1103 | 1 |
| BOLT,FLANGED,10X40 (Ref # 92002) | 92002-1296 | 1 |
| NUT,6MM (Ref # 92015) | 92015-1464 | 1 |
| RING-O,16.8MM (Ref # 92055) | 92055-1235 | 1 |
| SPRING,RECOIL (Ref # 92144) | 92144-1205 | 1 |
| SPRING,FRICTION (Ref # 92144A) | 92144-1206 | 1 |
| SPRING,RETURN (Ref # 92144B) | 92144-1207 | 1 |