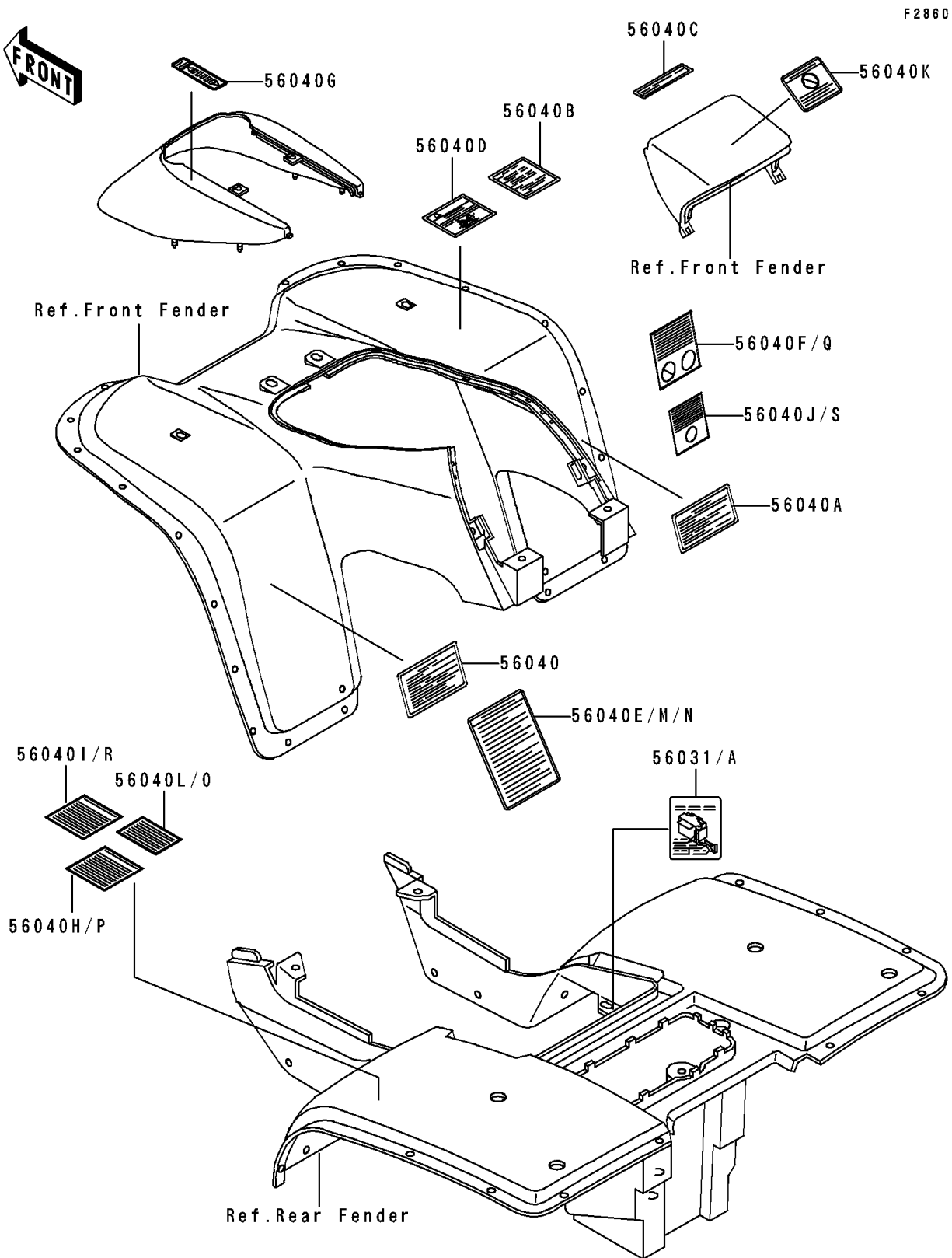


1988 Bayou 300 PARTS DIAGRAM

Label



1988 Bayou 300 PARTS LIST

Label

ITEM NAME	PART NUMBER	QUANTITY
LABEL-MANUAL,BATTERY VENT (Ref # 56031)	56031-1570	1
LABEL-WARNING (Ref # 56040)	56040-1196	1
LABEL-WARNING,IMPORTANT NOTICE (Ref # 56040A)	56040-1197	1
LABEL-WARNING,IMPORTANT INFO (Ref # 56040B)	56040-1199	1
LABEL-WARNING,REFUELING (Ref # 56040C)	56040-1200	1
LABEL-WARNING,DIFFERENTIAL (Ref # 56040D)	56040-1229	1
LABEL-WARNING,SHIFT PATTERN (Ref # 56040G)	56040-1262	1