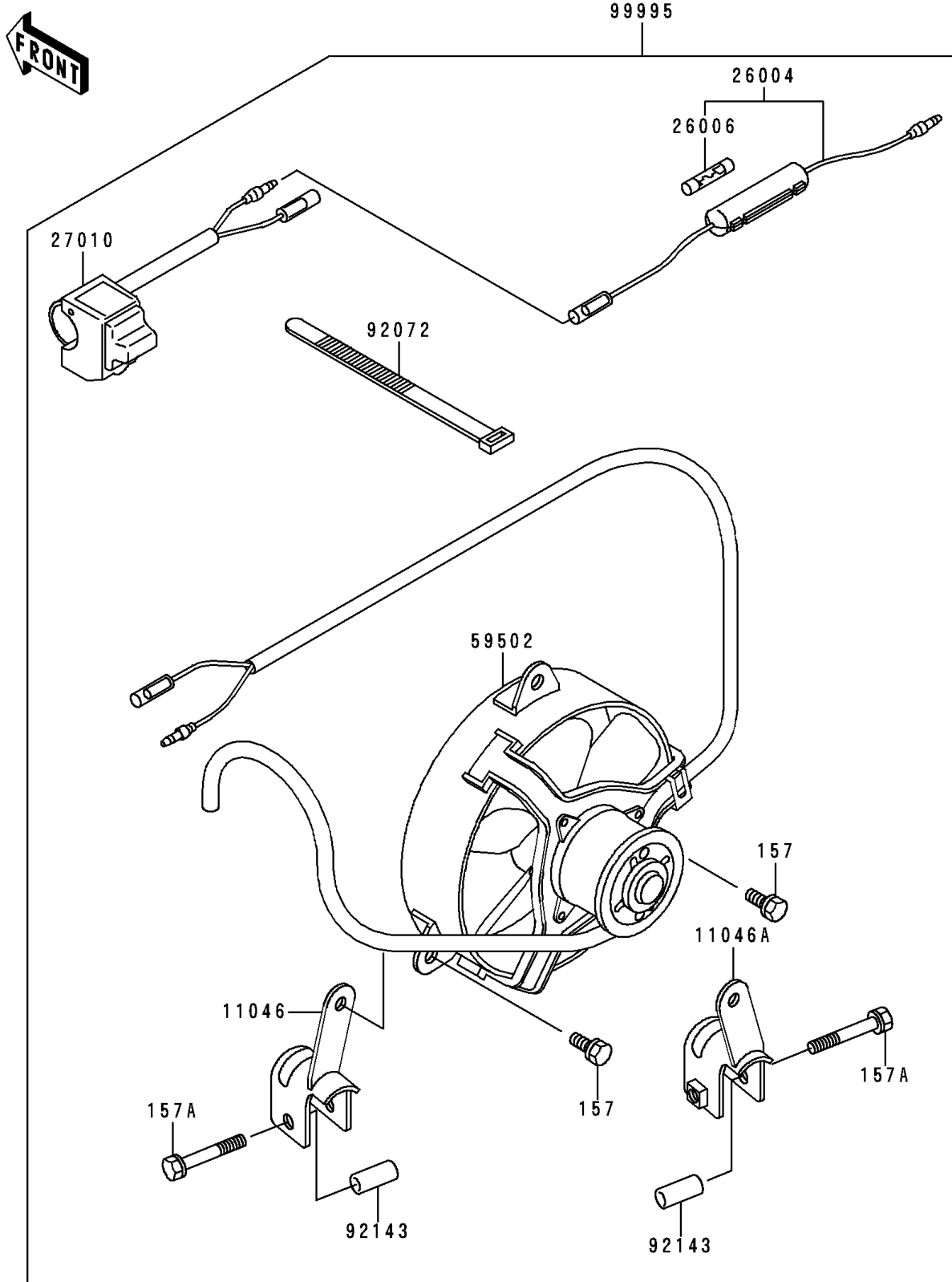


1989 Bayou 300 PARTS DIAGRAM

Optional Parts(Cooling Fan)

F2890A



1989 Bayou 300 PARTS LIST

Optional Parts(Cooling Fan)

ITEM NAME	PART NUMBER	QUANTITY
BOLT-WSP (Ref # 157)	157J0616	3
BOLT-WSP (Ref # 157A)	157J0640	2
BRACKET,FAN,LH (Ref # 11046)	11046-1242	1
BRACKET,FAN,RH (Ref # 11046A)	11046-1243	1
FUSE-ASSY (Ref # 26004)	26004-1077	1
FUSE,10A,L=30 (Ref # 26006)	26006-1002	2
SWITCH,FAN (Ref # 27010)	27010-1250	1
FAN-ASSY,COOLING (Ref # 59502)	59502-1078	1
BAND,L=149 (Ref # 92072)	92072-031	1
COLLAR,6.8X10X21.7 (Ref # 92143)	92143-1225	2
KIT.,COOLING FAN (Ref # 99995)	99995-1012	1